



# Pleated Blinds Product Brochure

[www.shadow-system.pl](http://www.shadow-system.pl)

living with style





Pleated blinds offered by Shadow-System are based on the renowned, leading European DECOMATIC® system of the German company BENTHIN®. The highest quality of details and modern solutions guarantees reliable and long-term use of ready-made goods, which provides an advantage over other products available in our market. A wide range of system options enables manufacturing pleated blinds for almost every shape and every window type. Because of their decorative character pleated blinds are intended for usage in household rooms; however their universality and functional characteristics make them popular in office rooms as well.

A full product range from the group of pleated blinds offered by Shadow-System includes:

- DECOMATIC® BASIC** System - a budget series including the most frequently ordered models of pleated blinds for tilt & turn windows and roof windows. Optionally, there are basic special forms available, such as trapezoids and triangles with manual operation: handle or cord. Profiles are available in five colours: four powder-coated according to the RAL palette and one anodised in silver colour.
- DECOMATIC® COMFORT** System - offers a complete set (over 100 forms) of pleated blinds for tilt & turn windows and roof windows, operated manually: by handle, cord, chain or crank, as well as an electric drive. Profiles with modern shapes of an advanced design are available in six colours: three powder-coated and three anodised ones.
- DECOMATIC® PLAFOND** System - unique and perfect solution for skylights and winter gardens, enabling to install pleated blinds also in a fully horizontal plane, operated manually: by handle, cord or crank, as well as an electric drive. Profiles are available in six colours: three powder-coated and three anodised ones.
- COULISSE®** System - **the Skylight roof pleated blind** is the latest system from the Dutch company Coulissee for roof pleated blinds. This pleated blind is operated manually by two sliding profiles, which may be set at any position. The pleated blind is equipped with side cover profiles which additionally limit the sunlight transmission into the room interior. Profiles are available in anodised silver colour.
- Optional operating and mounting elements** - detailed information.
- SOMFY® Electric drives and controls** - solutions and detailed information.

Details  
on pages  
**6 - 9**

Details  
on pages  
**10 - 23**

Details  
on pages  
**24 - 27**

Details  
on pages  
**28 - 29**

**30 - 31**

**32 - 37**

DECOMATIC

BENTHIN

coulissee

somfy



*SHADOW-SYSTEM is a Polish company from the Tri-city area with over 20-year experience in production of exclusive window products. Our main goal is to find and offer our customer an optimal solution for the window decoration so that our premium blinds, produced with greatest care, bring full satisfaction from the every-day use. Our mission is to create the market of cover products, combining the highest quality, functionality and aesthetics.*



**Electric drives.** Pleated blinds may be equipped with electric drives which significantly improve their functionality and user's comfort. The pleated blinds produced by Shadow-System are equipped with motors produced by Somfy - the European leader in this sector. As a proven supplier of internal window shields with electric drives, we offer to share our experience in the selection of optimal solutions. The drives in offer include traditional cable control which cooperate with more and more popular „smart home“ systems (EIB) or radio-controlled transmitters (RTS), which can be controlled by mobile applications.

The intelligent management system of Shadow-System window shields was developed for customers who appreciate comfort and convenience. A blind equipped with an electric drive enables to watch TV comfortably, gives a moment of privacy or lets the first sun rays into the sleeping room without the need to stand up. Depending on the choice of one of many available operation solutions, it is possible to control blinds in several rooms with one remote control. Programming the opening / closing time of coverings in the smart home option will also guarantee better use of thermal energy during the absence of household members.



**1-channel remote control.**  
It operates via radio a single pleated blind or a single group of pleated blinds in one room.



**16-channel remote control.**  
It operates via radio up to 16 roller blinds or groups of roller blinds in several rooms. Remote control with LCD display.



**• CONEEXOON**  
It enables to control household appliances via tablet or smart phone.



**Employees.** We believe that people create the company's value and determine its success. Highly qualified and experienced employees are a guarantee of highest quality of the products we produce. The core of our staff consists of experienced employees, attached to the company from almost the very beginning of its existence, who with their knowledge and experience support the new ones who have just started their adventure with our company. All our customers can count on comprehensive and professional support from our employees in order to obtain the product which is best tailored for their needs and expectations.

## A WIDE RANGE OF FABRICS AND VARIETY OF TECHNICAL SOLUTIONS

Shadow-System offers a wide collection of various fabrics. It is over 400 patterns, both classic plain and decorative modern design, as well as technical / fire resistant fabrics. The offer includes fabrics with various light transmissions, from transparent fabrics, through semi-transparent, protecting against unwelcome sight, but providing the daily light supply, up to the Black Out fabrics - blinding the interior completely. A separate group is fabric of Honeycomb type with honeycomb structure which makes the system cords completely invisible.

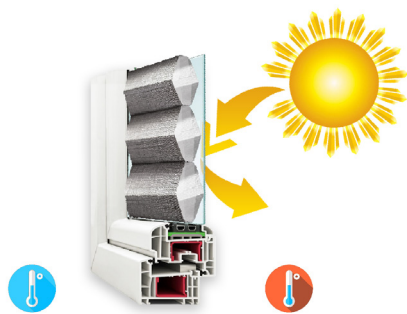
The choice of a suitable fabric to cover the inside against the sun rays coming through the window has a great importance. Apart from technical parameters that decide on the amount of sunlight transmission, its decorative aspect is worth considering. A fabric in a proper colour not only decorates a window, but is also a crucial element of the whole room decor. The Honeycomb fabric application will significantly improve the thermal and acoustic insulation of the interior.



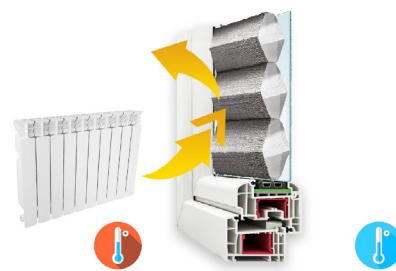


## HONEYCOMB FABRIC PERFECT TEMPERATURE IN YOUR ROOM

Fabrics of HONEYCOMB type are pleated fabrics with a characteristic structure of a honeycomb. Due to a double layer of fabric application, the openings in the fabric needed for system cords, as well as the cords themselves are invisible. Such fabric structure has also excellent thermo-insulating properties, and therefore the room heats up less in summer, and the heat loss through the glass panes is much lower in winter. Thus, the fabrics of a HONEYCOMB type help keeping a comfortable air temperature and cost optimisation of heating and cooling the interior.



In hot and sunny days  
the Honeycomb fabric protects  
the room inside from heating up.



In winter when keeping the warmth in the room is  
important, the Honeycomb fabric prevents the loss  
of warmth through the glass pane.

# PLEATED BLINDS DECOMATIC BASIC



Program BASIC is designed for windows with rectangular shapes, vertical tilt & turn or roof windows. A simple construction of roller blinds guarantees their failure-free operation for many years. High quality aluminium profiles, all plastic details and impressive fabrics highlight their aesthetics. The blinds in the BASIC system may be operated manually with a handle (tilt & turn windows and roof windows) or with a cord (only tilt & turn windows).

## LIST OF MODELS AVAILABLE IN BASIC PROGRAM

**Tilt & Turn windows**

**HANDLE OPERATION**

P1400N    P1414N    P1415N    P1415N BIS    P1410N    P1416N

**roof windows**

**HANDLE OPERATION**

P2415N    P2416N    P2400N

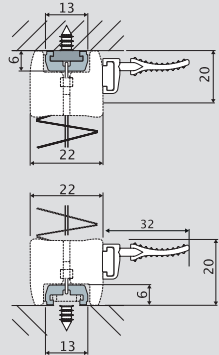
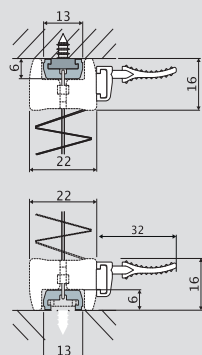
## PROFILE COLOURS

STANDARD		EXTRA CHARGE	
	WHITE POWDER COATED	<b>RAL 9005</b>	BLACK STRUCTUR
	WHITE STRUCTUR	<b>RAL 1015</b>	BEIGE POWDER COATED
	SILVER ANODISIERT	<b>RAL 7016</b>	ANTHRACITE STRUCTUR
	<b>RAL 9016</b>	<b>RAL 7040</b>	GREY STRUCTUR
	<b>RAL 9016</b>		BRONZE ANODISIERT
	<b>E6/EV1</b>		

P1415N / P1414N

STANDARD PROFILE

HIGH PROFILE



P1415N Width ≤ 1,00 m

\*P1415N Width > 1,00 m

**P1415N**

**Handle operated pleat:**

- independent closing and opening in two directions (up and down) of the two pleat profiles,
- cord fixed on mounting feet.

**P1414N**

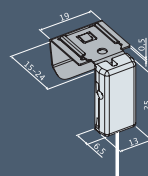
**Handle operated pleat:**

- type P1415N with cords fixed on additional non-invasive snap ▶ handles on the sash.

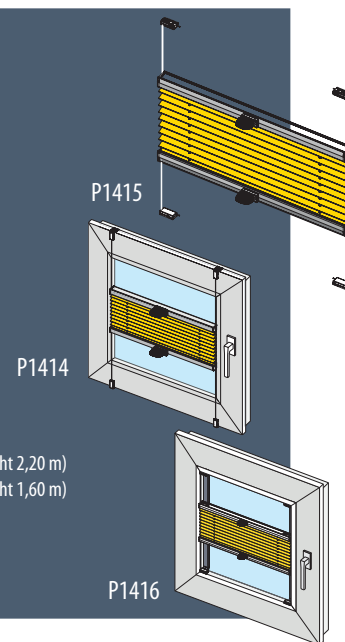
**P1416N**

**Handle operated pleat:**

- P1415N type with non-invasive mounting on the glass, on profiles glued to the glass.



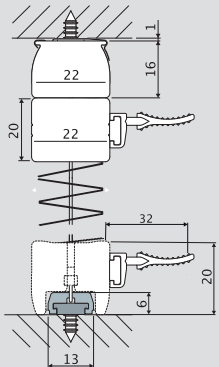
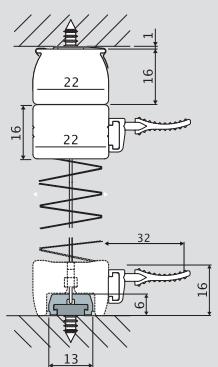
Width: min. 0,20 m  
max. 1,20 m (Height 2,20 m)  
max. 1,50 m (Height 1,60 m)  
Height: min. 0,20 m  
max. 2,20 m  
Surface: max. 2,60 m<sup>2</sup>  
Window tilt angle: max. 15°



P1400N / P1410N

STANDARD PROFILE

HIGH PROFILE



P1410N Width ≤ 1,00 m

\*P1410N Width > 1,00 m

**P1400N**

**Handle operated pleat:**

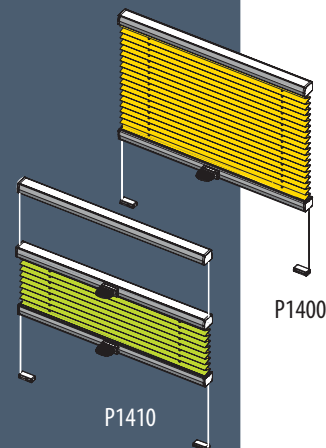
- only the lower pleat profile movable,
- mounting the upper profile on mounting clips,
- mounting the lower cords on the mounting feet.

**P1410**

**Handle operated pleat:**

- independent closing and opening in two directions (up and down) of the lower and middle pleat profile,
- mounting an additional, fixed profile on mounting clips,
- mounting the lower cords on the mounting feet.

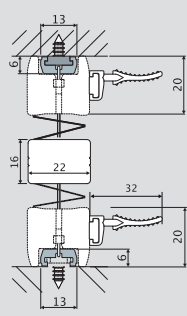
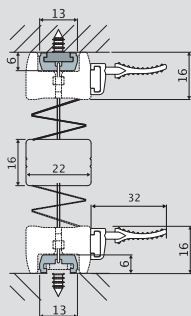
Width: min. 0,20 m  
max. 1,20 m (Height 2,2 m)  
max. 1,50 m (Height 1,6 m)  
Height: min. 0,20 m  
max. 2,20 m  
Surface: max. 2,60 m<sup>2</sup>  
Window tilt angle: max. 15°



P1415 BIS - Double fabric

STANDARD PROFILE

HIGH PROFILE



P1415 BIS Width ≤ 1,00 m

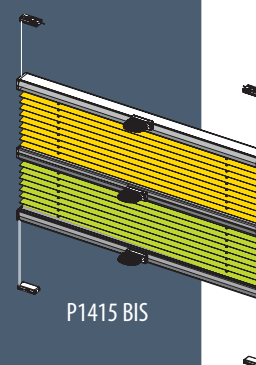
\*P1415 BIS Width > 1,00 m

**P1415 BIS**

**Double fabric - Handle operated pleat:**

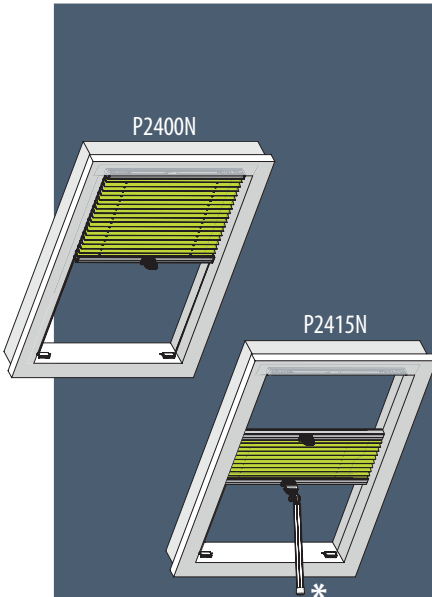
- three movable profiles enabling independent opening and closing of two curtain fabrics,
- mounting the lower and upper strings on mounting feet.

Width: min. 0,20 m  
max. 1,20 m (Height 2,20 m)  
max. 1,50 m (Height 1,60 m)  
Height: min. 0,20 m  
max. 2,20 m  
Surface: max. 2,60 m<sup>2</sup>  
Window tilt angle: max. 15°



\* for blinds wider than 1,00 m a high profile (23mm high) is used, instead of the standard profile (17mm high)

P2400N / P2415N - Roof window blind



**P2400N**  
Roof window blind - Handle operated:

- only the lower pleat profile movable,
- mounting the upper profile on mounting clips,
- mounting the lower strings on mounting feet.

**P2415N**  
Roof window blind - Handle operated:

- independent closing and opening in two directions (up and down) of both pleat profiles,
- mounting the lower and upper strings on mounting feet.

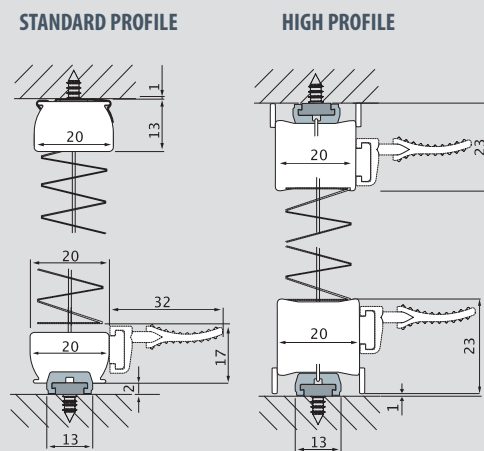
Width: min. 0,20 m  
max. 1,50 m

Height: min. 0,20 m  
max. 1,50 m

Surface: max. 2,25 m<sup>2</sup>

Window tilt angle: max. 60°

\*



**STANDARD PROFILE**

**HIGH PROFILE**

P2400N Width ≤ 1,00 m

\*\* P2415N Width > 1,00 m  
P2416N

\*\* for blinds wider than 1,00 m a reinforced profile 20 x 23 mm is used,

\* for roof pleated blinds it may be necessary to use an operation rod



**P2416N**  
Roof window blind with aluminium side profiles - Handle operated:

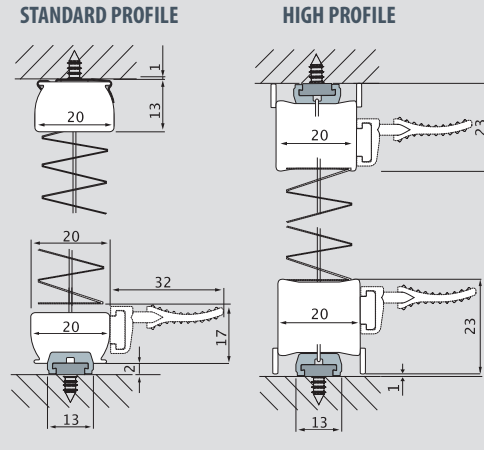
- independent closing and opening in two directions (up and down) of both pleat profiles,
- mounting the lower and upper strings on mounting feet,
- for all widths a high profile is used as standard.

Width: min. 0,20 m  
max. 1,50 m

Height: min. 0,20 m  
max. 1,50 m

Surface: max. 2,25 m<sup>2</sup>

Window tilt angle: max. 60°



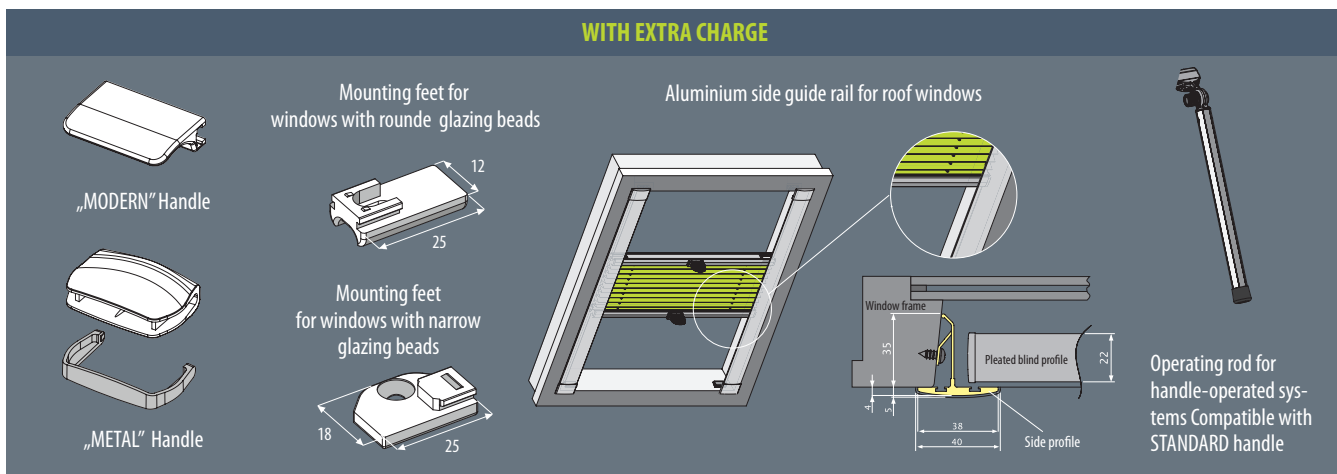
**STANDARD PROFILE**

**HIGH PROFILE**

P2400N Width ≤ 1,00 m

\*\* P2415N Width > 1,00 m  
P2416N

WITH EXTRA CHARGE



Mounting feet for windows with round glazing beads

„MODERN“ Handle

Mounting feet for windows with narrow glazing beads

„METAL“ Handle

Aluminium side guide rail for roof windows

Operating rod for handle-operated systems Compatible with STANDARD handle

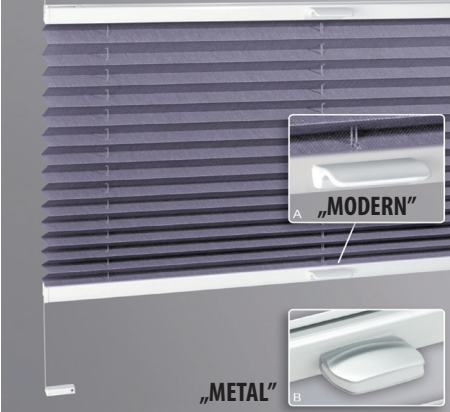
# COMFORT AND PLAFOND DECOMATIC PLEATED BLINDS

Program Comfort and the supplementary Plafond program enables manufacturing a full range of products for all window types: vertical tilt & turn, roof windows, skylights and winter gardens (plafonds). Depending on the installation place and the window type, pleated blinds may be operated manually: by handle, cord, chain, crank or remotely with an electric drive. Solutions improving the usage comfort of a blind together with plastic elements made out of the highest quality plastic enable to fulfill expectations of the most demanding customers. Various shapes of blinds (over 100 forms and shapes) allow using them in every window shape available in our market. Therefore, they are the most universal products in the decorative segment of the light protection.



## TYPES OF OPERATION

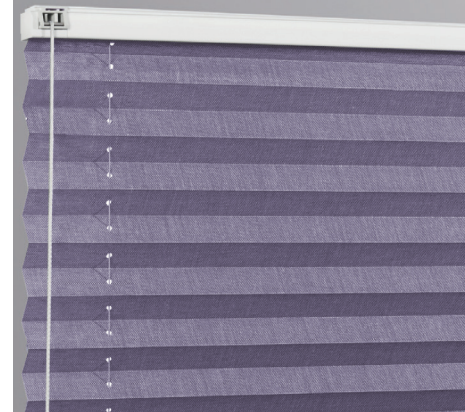
HANDLE



CHAIN



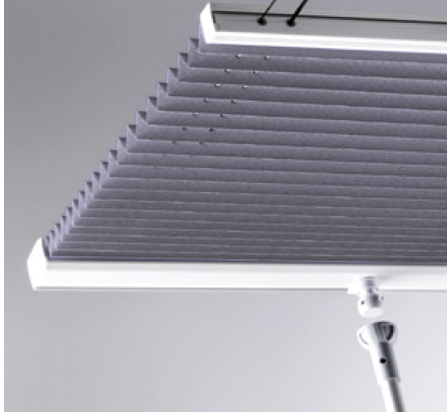
CORD



MOTOR



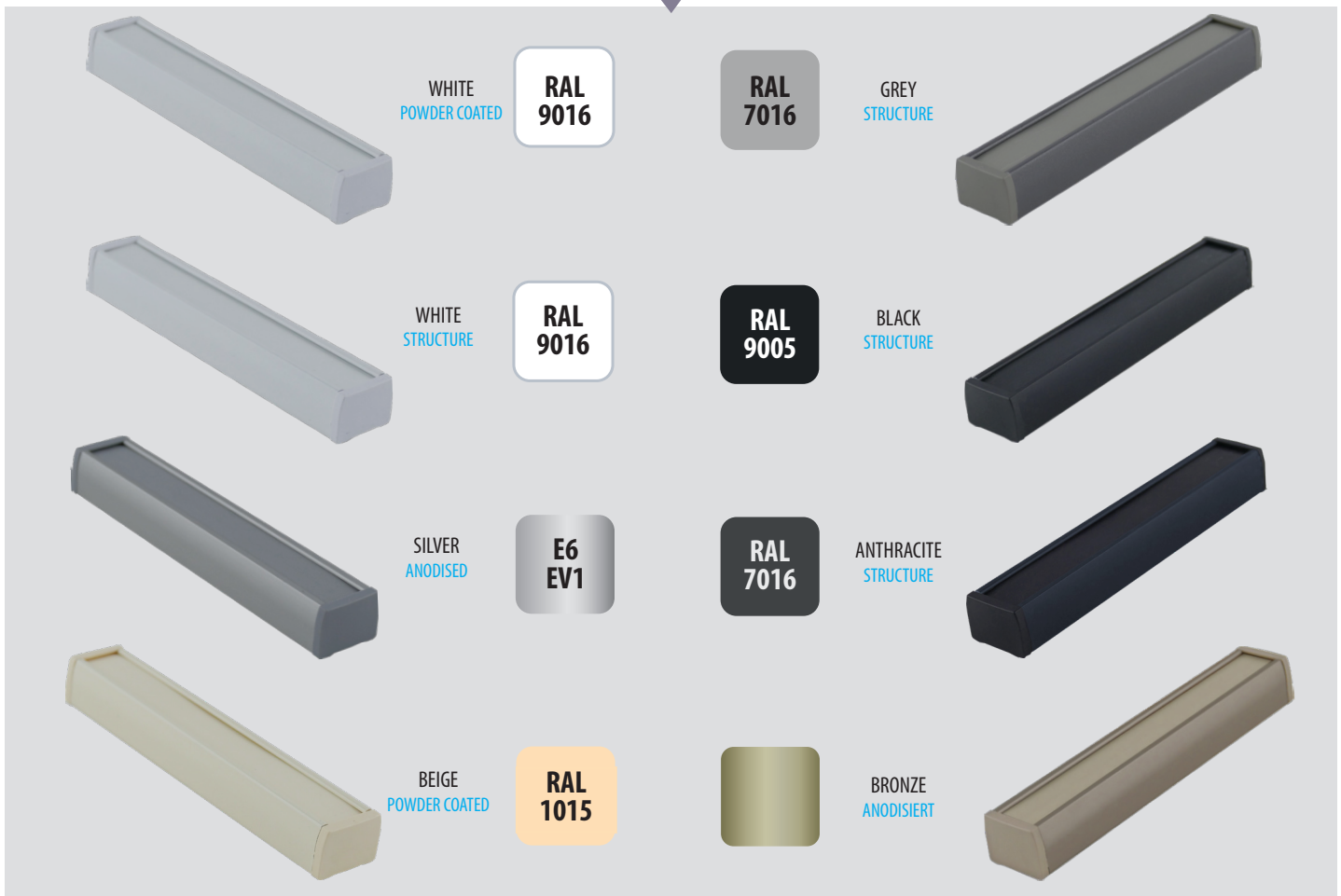
CRANK



OPERATION-PROFILE



PROFILE COLOUR

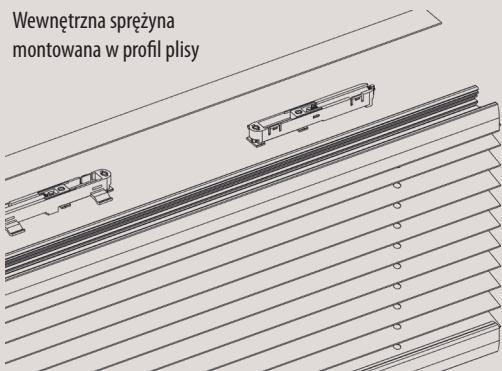


OPERATION-PROFILE COLOURS FOR MODELS P5615 | P5616



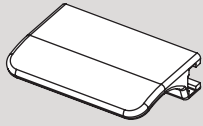
! IMPORTANT!

Wewnętrzna sprężyna montowana w profil plisy

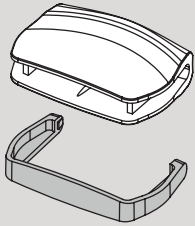


The use of springs has a significant effect on the lightness and smoothness of the pleated blind operation, and also, in the case of a mistake or inaccurate pleated blind height measurement, the springs compensate for the difference during installation, regardless of whether the difference in measurement was plus or minus the actual dimension. In pleated blinds operated with a handgrip in the COMFORT programme (e.g. P1615, P2600), there are special springs inside the profiles which are used to regulate the tension of the cords.

HANDLES AND MOUNTING



„MODERN“ HANDLE  
NO EXTRA CHARGE\*



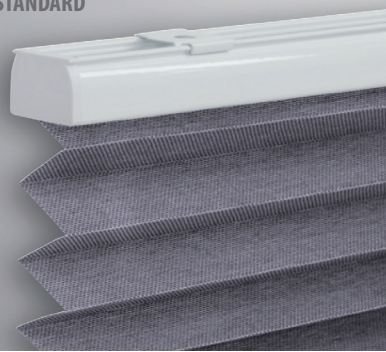
„METAL“ HANDLE  
WITH EXTRA CHARGE\*



PVC BRACKET  
NO EXTRA CHARGE



MOUNTING CLIPS  
STANDARD



SNAP HANDLES  
STANDARD



PVC BRACKET  
NO EXTRA CHARGE



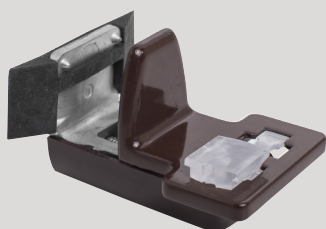
BRACKETS  
AVAILABLE COLOURS



METAL BRACKET WITH PVC COVER  
OPTION WITH EXTRA CHARGE



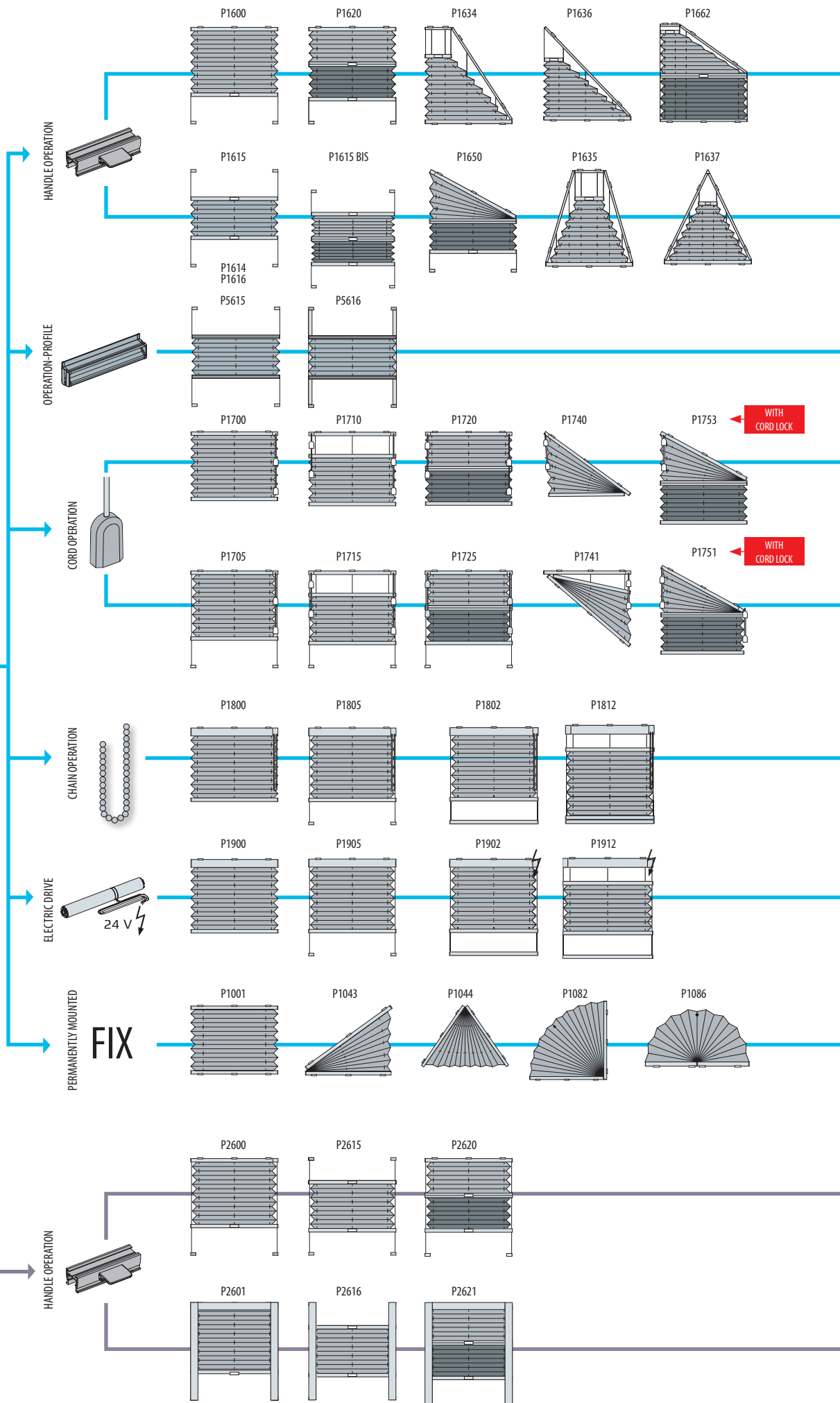
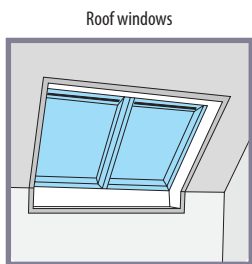
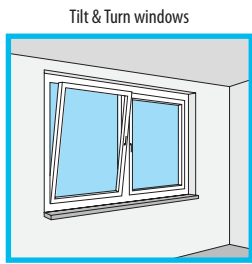
BLOCK HOLDER OPTION WITH EXTRA CHARGE



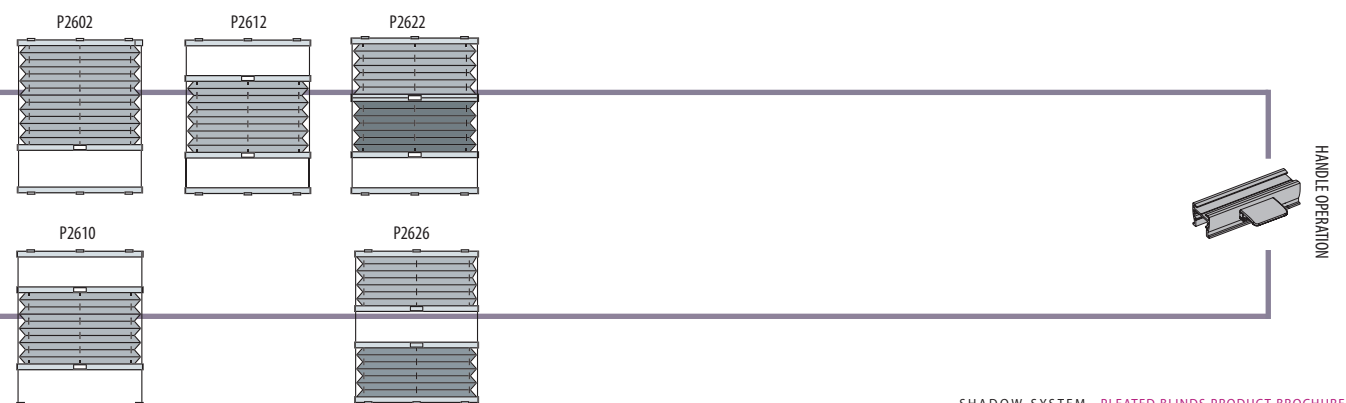
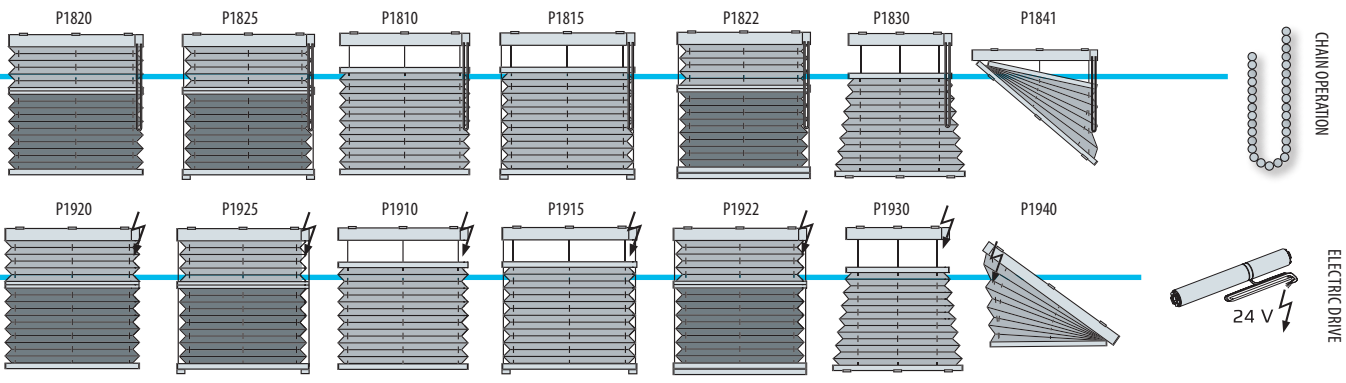
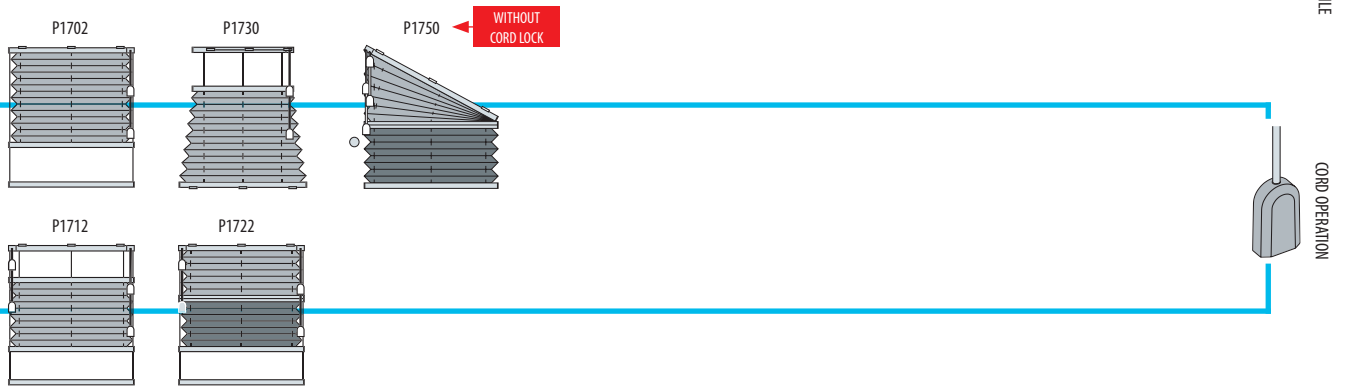
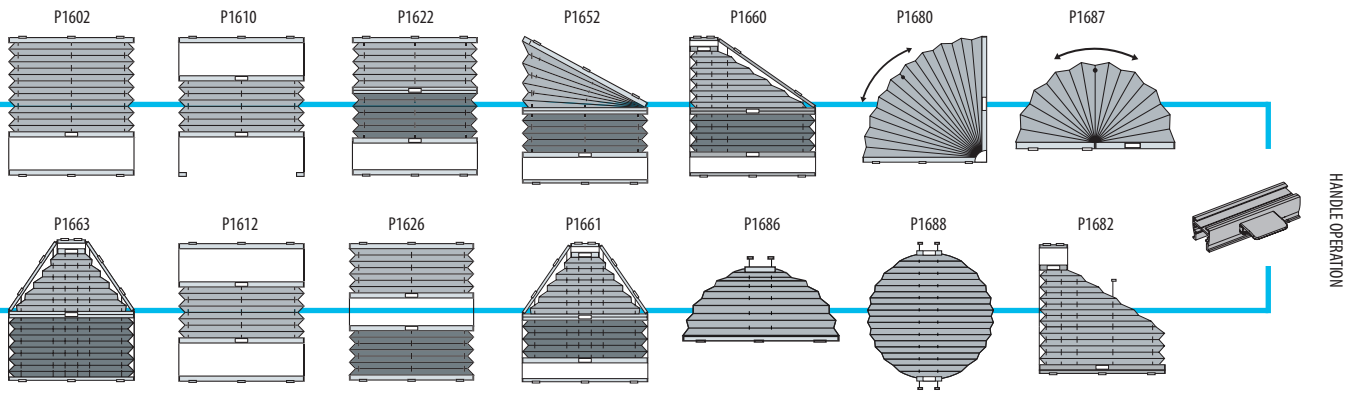
\* Handle is not compatible with an operation rod

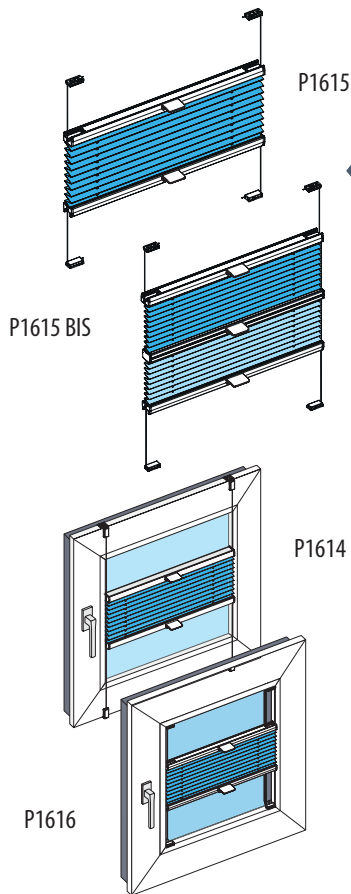
**LIST OF AVAILABLE VERSIONS OF THE COMFORT PROGRAM**

\* Models available also with the profiles of the BASIC SYSTEM.



# COMFORT PROGRAM - SPECIAL VERSIONS (EXAMPLES)





**P1615 / P1615 BIS / P1614 / P1616**

**P1615**

**Handle operated pleat:**

- independent closing and opening in two directions (up and down) of both pleat profiles,
- cord fixed on mounting feet.

**P1615 BIS**

**Double fabric - Handle operated pleat:**

- three movable profiles enabling independent opening and closing of two curtain fabrics,
- cord fixed on mounting feet.

**P1614**

**Handle operated pleat:**

- fixed on additional non-invasive snap handles on the sash.

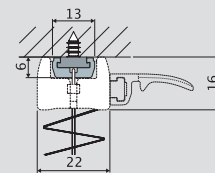
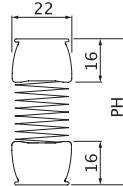
**P1616**

**Handle operated pleat:**

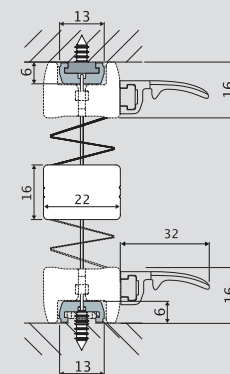
- P1615 type with non-invasive mounting on the glass, on profiles glued to the glass.

Width:	min. 0,20 m max. 1,20 m (Height 2,20 m) max. 1,50 m (Height 1,60 m)
Height:	min. 0,20 m max. 2,20 m
Surface:	max. 2,60 m
Window tilt angle:	max. 15°

Height	PH - Package Height (mm) - depending on the thickness of the fabric
0,50 m	37-41
1,00 m	40-48
1,50 m	44-55
2,00 m	48-62
2,20 m	49-65



P1614 / P1615 / P1616



P1615 BIS

**P1600 / P1620**

**P1600**

**Handle operated pleat:**

- only the lower pleat profile movable,
- mounting the upper profile on mounting clips,
- cord fixed on mounting feet.

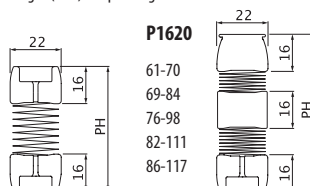
**P1620**

**Double fabric - Handle operated pleat:**

- independent closing and opening in two directions (up and down) of the lower and middle pleat profile,
- mounting the upper profile on mounting clips,
- cord fixed on mounting feet.

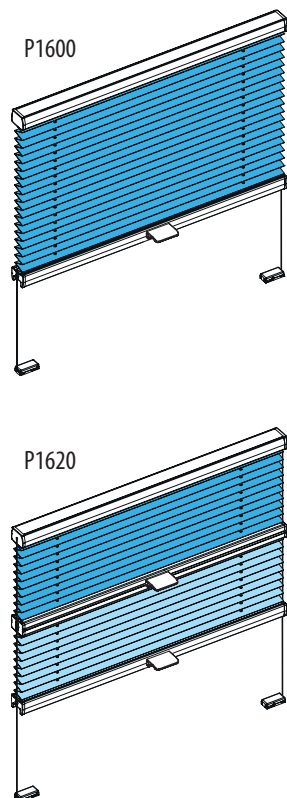
Width:	min. 0,20 m max. 1,20 m (Height 2,20 m) max. 1,50 m (Height 1,60 m)
Height:	min. 0,20 m max. 2,20 m
Surface:	max. 2,60 m
Window tilt angle:	max. 15°

Height	PH - Package Height (mm) - depending on the thickness of the fabric	
0,50 m	<b>P1600</b>	37-41
	<b>P1620</b>	61-70
		69-84
		76-98
		82-111
1,00 m	<b>P1600</b>	40-48
	<b>P1620</b>	76-98
		82-111
		86-117
1,50 m	<b>P1600</b>	44-55
	<b>P1620</b>	86-117
2,00 m	<b>P1600</b>	48-62
	<b>P1620</b>	
2,20 m	<b>P1600</b>	49-65
	<b>P1620</b>	



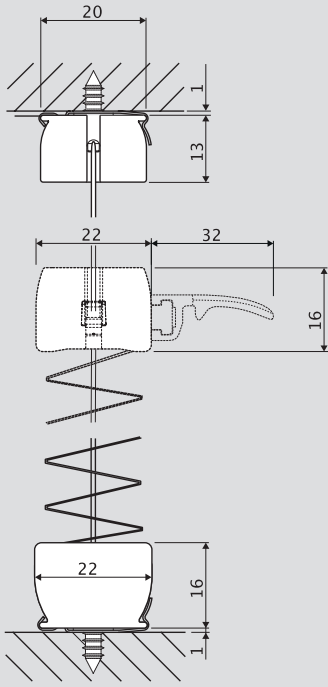
P1600

P1620



! For blinds wider than 1,10 m a high profile (20mm high) is used, instead of the standard profile (16 mm high).

**P1634 / P1635 - Trapezoid – Handle operation**



P1634 / P1635

**P1634**

**Trapezoid with one-sided slant - Handle operated pleat:**

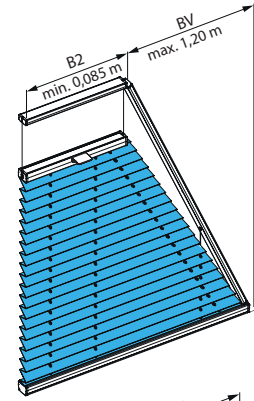
- opening in one direction (downwards),
- immovable profiles mounting on clips.

**P1635**

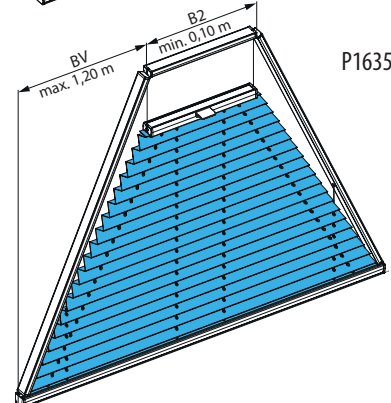
**Trapezoid with two-sided slant - Handle operated pleat:**

- opening in one direction (downwards),
- immovable profiles mounting on clips.

Width:	min. 0,20 m (Model P1634)
	min. 0,30 m (Model P1635)
	max. 1,50 m
Height:	max. 2,00 m
Trapezoid slant BV:	min. 0,05 m
	max. 1,20 m
Width B2	min. 0,085 m (Model 1634)
	min. 0,10 m (Model 1635)
Window tilt angle:	max. 15°

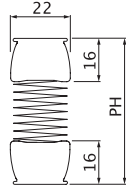


P1634

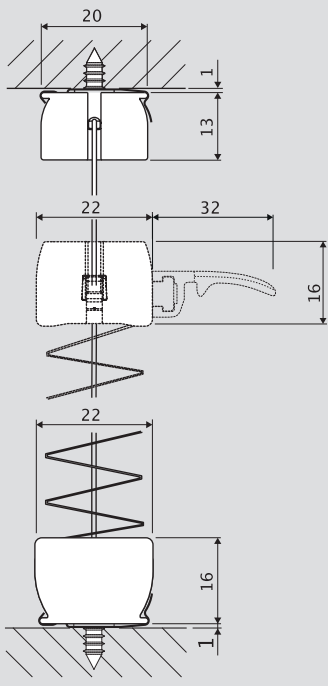


P1635

Height	PH - Package Height (mm) - depending on the thickness of the fabric
0,50 m	37-41
1,00 m	40-48
1,50 m	44-55
2,00 m	48-62



**P1636 / P1637 - Triangle – Handle operation**



P1636 / P1637

**P1636**

**Triangle with one-sided slant - Handle operated pleat:**

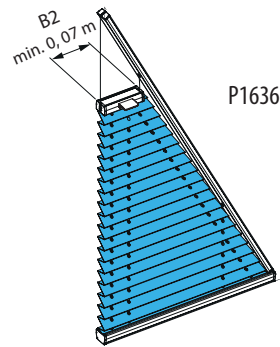
- opening in one direction (downwards),
- immovable profiles mounting on clips..

**P1637**

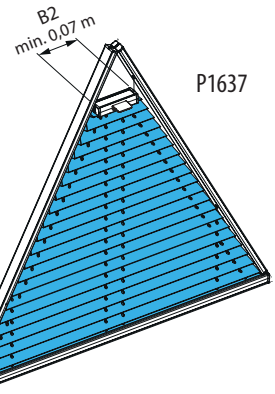
**Triangle with two-sided slant - Handle operated pleat:**

- opening in one direction (downwards),
- immovable profiles mounting on clips.

Width:	min. 0,30 m
	max. 1,20 m
Height:	min 0,20 m
	max. 2,00 m
Width B2:	min. 0,07 m
Window tilt angle:	max. 15°

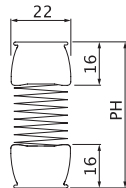


P1636

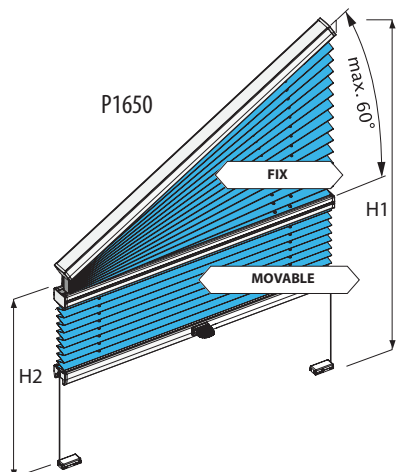


P1637

Height	PH - Package Height (mm) - depending on the thickness of the fabric
0,50 m	37-41
1,00 m	40-48
1,50 m	44-55
2,00 m	48-62



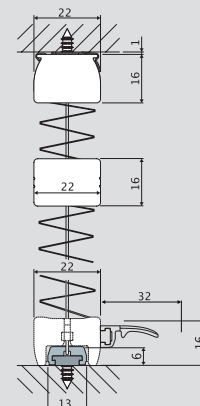
**P1650 - Special form – Handle operation**



**P1650 Special form – Handle operated pleat:**

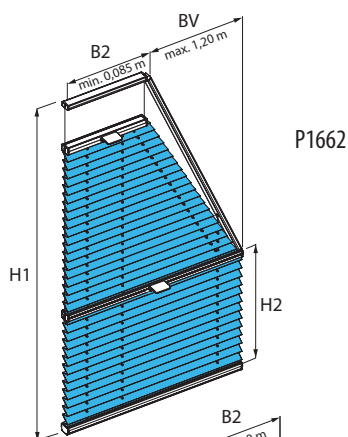
- only a lower part of the pleat is movable, an upper part is fixed,
- opening a lower part in one direction (downwards),
- immovable profiles mounting on clips.
- cord fixed on mounting feet.

Width:	min. 0,30 m max. 1,50 m (depending on the inclination angle)
Diagonal profile length:	max. 2,00 m (opening angle max 60°) max. 2,20 m (opening angle max 30°)
Height H1:	min. 0,20 m max. 3,00 m (depending on the length of the S1 oblique profile)
Height H2:	min. 0,10 m max. 1,50 m (max Width 1,50 m) max. 2,20 m (max Width 1,20 m)
Blind tilt angle:	5°-60°
Window tilt angle:	max 15°



P1650

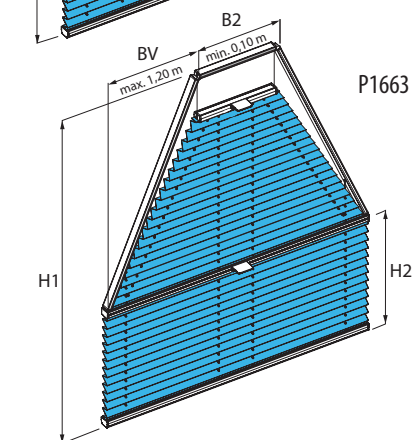
**P1662 / P1663 - Special form – Handle operation**



P1662

**P1662 Special form – Handle operated pleat:**

- a trapezoid with a one-sided slant combined with a rectangular part,
- opening in one direction (downwards),
- immovable profiles mounting on clips.

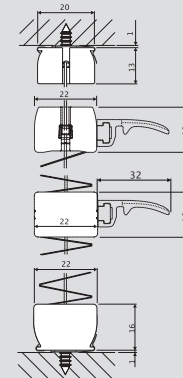


P1663

**P1663 Special form – Handle operated pleat:**

- a trapezoid with a two-sided slant combined with a rectangular part,
- opening in one direction (downwards),
- immovable profiles mounting on clips.

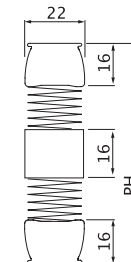
Width:	min. 0,20 m (Model P1662) min. 0,30 m (Model P1663) max. 1,20 m (maks. Height 2,00 m) max. 1,50 m (maks. Height 1,50 m)
Height H1:	min. 0,20 m max. 2,00 m
Height H2:	min. 0,10 m max. 1,50 m (max. Width: 1,50 m) max. 1,90 m (max. Width: 1,20 m)
Trapezoid slant BV:	min. 0,05 m max. 1,20 m
Diagonal profile length: B2:	min. 0,085 m (Model P1662) max. 1,45 m min. 0,10 m (Model P1663) max. 1,40 m
Window tilt angle:	max. 15°



P1662 / P1663

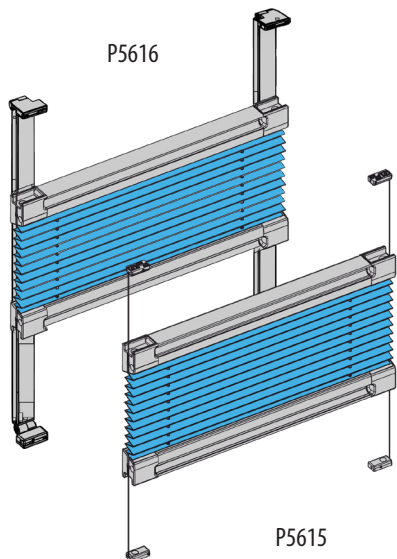
PH - Package Height (mm)  
- depending on the thickness of the fabric

Height	
0,50 m	58-67
1,00 m	66-81
1,50 m	73-95
2,00 m	79-108



COMFORT PROGRAM - OPERATION-PROFILE

**P5615 / P5616**



P5616

P5615

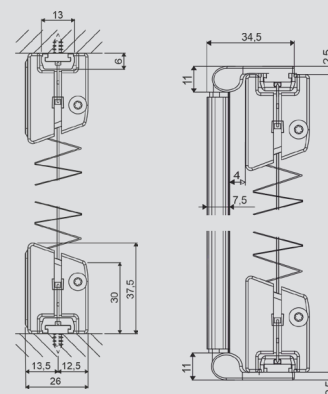
**P5615 Tensioned pleated blind with profile operation:**

- Independent closing and opening in two directions (up and down) of both profiles,
- Cords fixed on magnetic mounting feet.

**P5616 Tensioned pleated blind with profile operation:**

- Independent closing and opening in two directions (up and down) of both profiles,
- Mounting with non-invasive adhesive profiles mounted vertically on the pane.

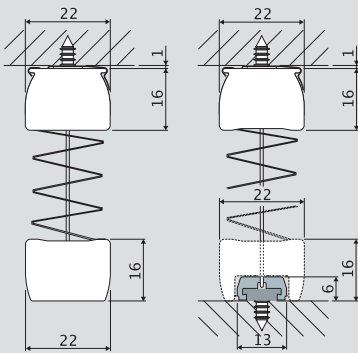
Width:	min. 0,20 m max. 1,50 m (Height 2,20 m) max. 2,10 m (Height 1,60 m)
Height:	min. 0,20 m max. 2,20 m
Surface:	max. 3,30 m <sup>2</sup>
Window tilt angle:	max. 15°



P5615

P5616

P1700 / P1705



P1700

P1705

**P1700**

**Free hanging blind with Cord operation:**

- only the lower pleat profile movable,
- immovable profiles mounting on clips.

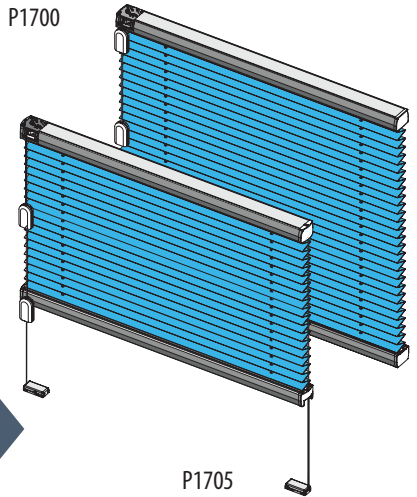
**P1705**

**Free hanging blind with Cord operation and side guiding (tilt and turn window):**

- only the lower pleat profile movable,
- cord fixed on mounting feet,
- immovable profiles mounting on clips.

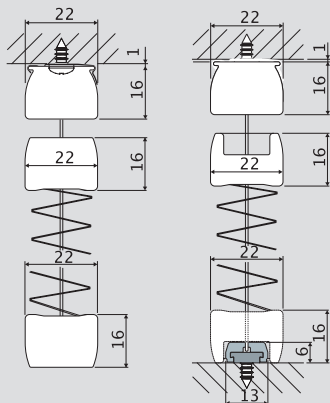
Width:	min. 0,30 m max. 2,20 m
Height:	min. 0,20 m max. 2,60 m
Surface:	max. 5,70 m <sup>2</sup>
Operation side:	left or right
Window tilt angle:	max. 15° (Model P1705)

P1700



P1705

P1710 / P1715



P1710

P1715

**P1710**

**Free hanging blind with Cord operation:**

- independent closing and opening in two directions (up and down) of the lower and middle profile,
- mounting immovable profiles mounting on clips

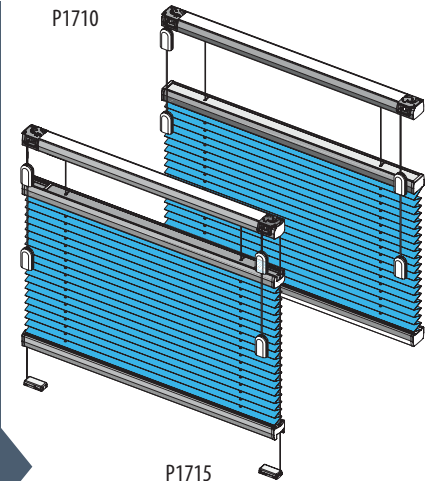
**P1715**

**Free hanging blind with Cord operation and side guiding (tilt and turn window):**

- independent closing and opening in two directions (up and down) of the lower and middle profile,
- side guide (for tilt windows) on mounting feet,
- immovable profiles mounting on clips.

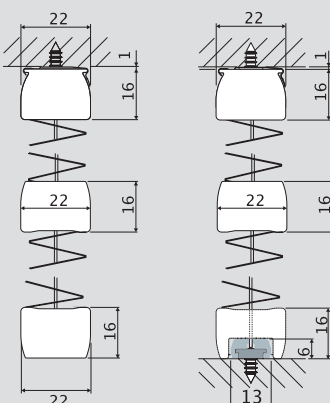
Width:	min. 0,30 m max. 2,20 m
Height:	min. 0,20 m max. 2,60 m
Surface:	max. 5,70 m <sup>2</sup>
Operation side:	left or right
Window tilt angle:	max. 15° (Model P1715)

P1710



P1715

P1720 / P1725 - Double fabric-pleated blind



P1720

P1725

**P1720**

**Free hanging, Double fabric pleated blind with Cord operation:**

- opening in one direction (upwards),
- immovable profiles mounting on clips.

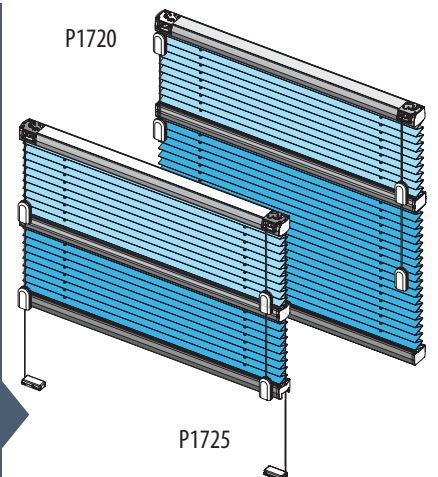
**P1725**

**Free hanging, double fabric blind with Cord operation and side guiding (tilt and turn window):**

- opening in one direction (upwards),
- side guide (for tilt windows) on mounting feet,
- immovable profiles mounting on clips.

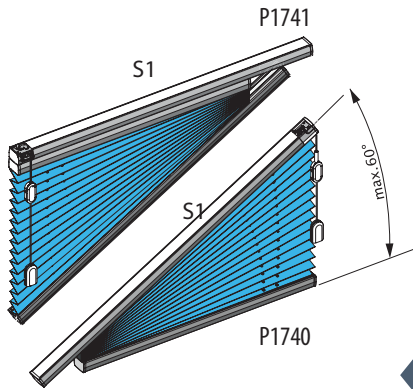
Width:	min. 0,30 m max. 2,20 m
Height:	min. 0,20 m max. 2,60 m
Surface:	max. 5,70 m <sup>2</sup>
Operation side:	left or right
Window tilt angle:	max. 15° (Model P1725)

P1720



P1725

P1740 / P1741 - Triangle – Schnurbedienung



**P1740**

**Free hanging triangle blind with Cord operation:**

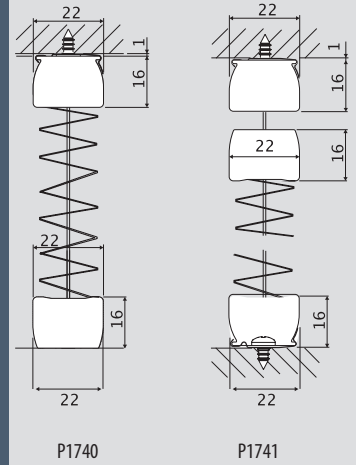
- opening in one direction (upwards),
- only the lower pleat profile movable,
- immovable profiles mounting on clips.

**P1741**

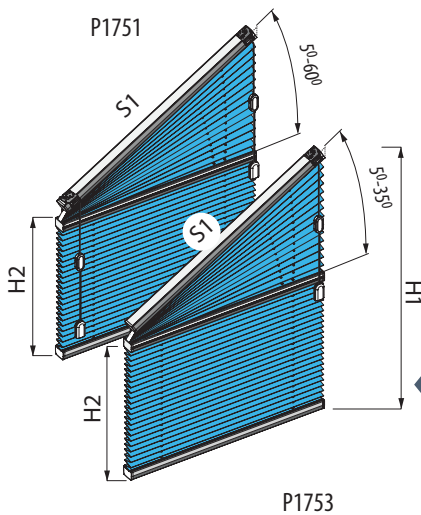
**Free hanging triangle blind with Cord operation:**

- only the middle pleat profile movable,
- opening in one direction (downwards),
- immovable profiles mounting on clips.

Width:	min. 0,30 m max. (depending on the length of the S1 oblique profile)
Length of the oblique profile S1:	max. 2,00 m (opening angle 60°) max. 2,20 m (opening angle 30°)
Height:	min. 0,10 m max. 1,70 m (depending on the length of the S1 oblique profile and opening angle)
Operation side:	on the higher side of the pleat (Model P1740) left or right (Model P1741)
Window tilt angle:	max. 15° (Model P1741)



P1751 / P1753 Special form - Schnurbedienung



**P1751 / P1753**

**Special form - Cord operation:**

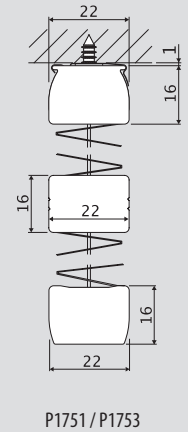
- both parts of the pleat are movable
- opening in one direction (upwards),
- immovable profiles mounting on clips.

**P1751**

Width:	min. 0,30 m max. (depending on the length of the S1 oblique profile)
Length S1:	max. 2,00 m (opening angle max. 60°) max. 2,20 m (opening angle max. 30°)
Height H1:	min. 0,20 m max. 3,00
Height H2:	min. 0,10 m max. 2,60 m (max. Width: 2,20 m)
Blind tilt angle:	5°-60° Operation with two cords

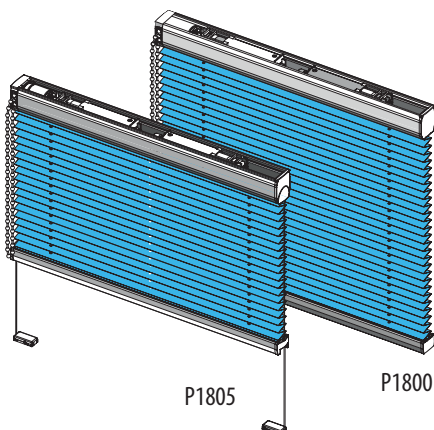
**P1753**

Width:	min. 0,30 m max. 1,00 m
Height H1:	min. 0,20 m max. 2,60 m
Height H2:	min. 0,10 m
Blind tilt angle:	5°-35° Operation with one cord



COMFORT PROGRAM - CHAIN OPERATION

P1800 / P1805



**P1800**

**Free hanging blind with Chain operation:**

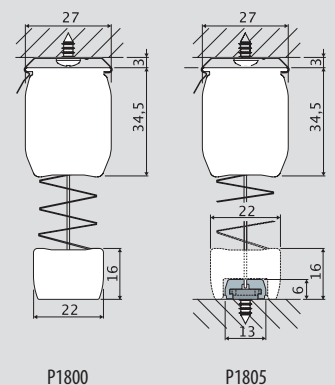
- opening in one direction (upwards),
- immovable profiles mounting on clips.

**P1805**

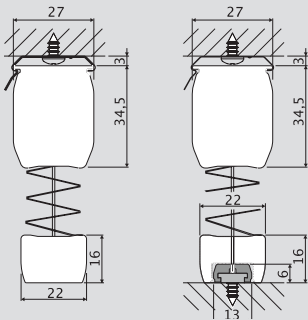
**Free hanging blind with Chain operation and side guiding (tilt and turn window):**

- opening in one direction (upwards),
- side guide (for tilt windows) on mounting feet,
- immovable profiles mounting on clips.

Width:	min. 0,40 m max. 2,20 m
Height:	min. 0,20 m max. 2,60 m
Surface:	max. 5,70 m <sup>2</sup>
Operation side:	left or right
Window tilt angle:	max 15° (Model P1805)



P1900 / P1905



P1900

P1905

**P1900**

**Free hanging blind with Electric drive:**

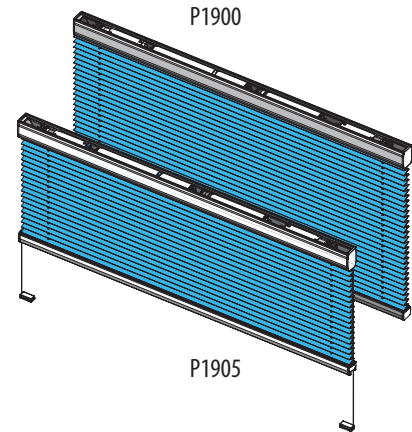
- opening in one direction (upwards),
- immovable profiles mounting on clips.

**P1905**

**Free hanging blind with Electric drive and side guiding (tilt and turn window):**

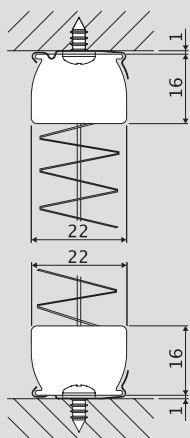
- opening in one direction (upwards),
- side guide (for tilt windows) on mounting feet,
- immovable profiles mounting on clips.

Width:	min. 0,70 m max. 2,20 m
Height:	min. 0,20 m max. 2,60 m
Surface:	max. 5,70 m <sup>2</sup>
Window tilt angle:	max. 15° (Model. P1905)



COMFORT SYSTEM - PLEATED BLINDS MOUNTED PERMANENTLY (FIX)

P1001 / P1043 / P1044 / P 1082\* / P1086\*



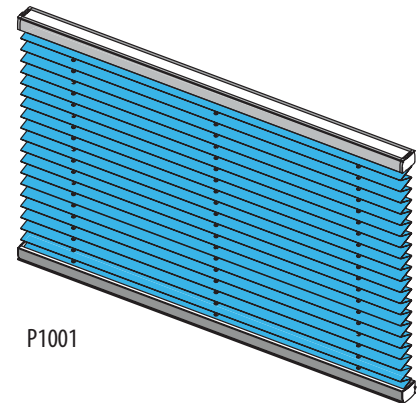
P1001

**P1001 / P1043 / P1044 / P1082\* / P1086\***

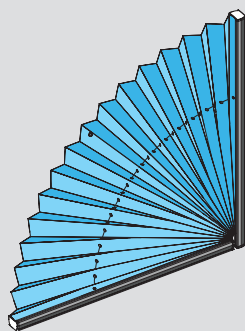
**Permanently mounted**

- special forms fixed permanently
- immovable profiles mounting on clips.

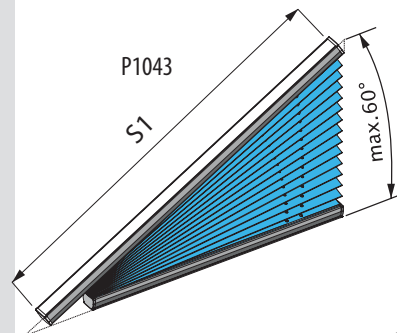
Width:	min. 0,40 m (Model P1043) min. 0,20 m (other types) max. 1,00 m (Model P1082) max. depending on the length of the profile oblique (Model P1043) max. 1,50 m (other types)
Length of the oblique profile S1: (Model P1043):	max. 2,00 (opening angle max 60°) max. 2,20 (opening angle max 30°)
Height:	min. 0,20 m max. 0,75 m (Model P1086) max. 1,00 m (Model P1082) max. 1,50 m (other types)
Blind tilt angle:	5°- 60°



P1001



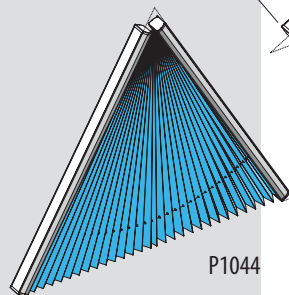
P1082\*



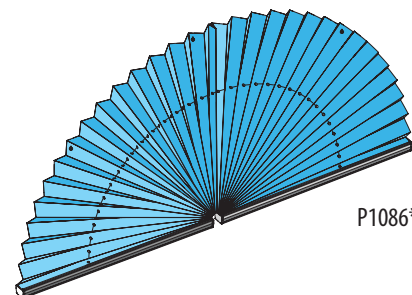
P1043

S1

max. 60°

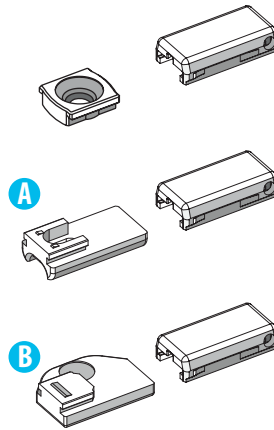
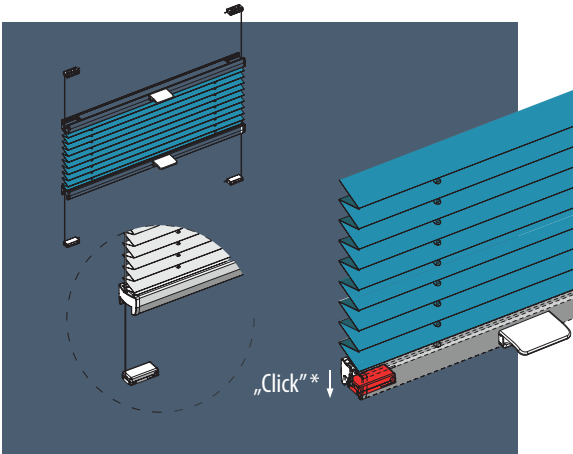


P1044



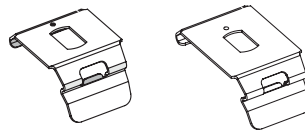
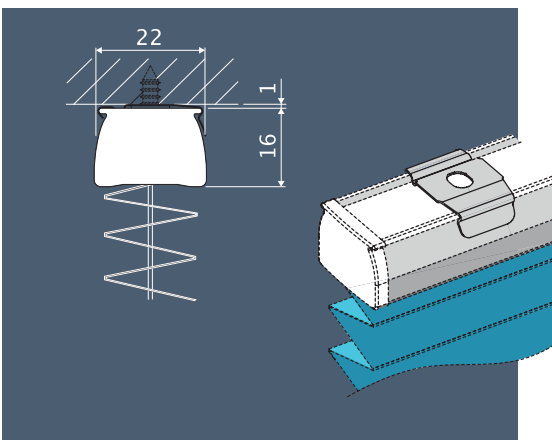
P1086\*

\* It is possible to make a pleat with a handle operation and movable profiles.



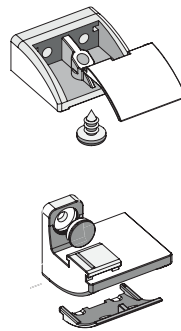
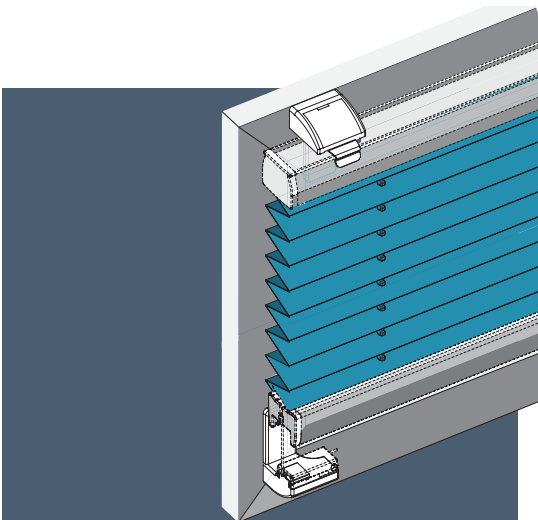
### MOUNTING FEET

They are a basic mounting form of the side pleat strings on the window glazing beads. The pleat profile has a special recess that allows the foot to be concealed in the pleat profile. Due to this, the clearance between the glazing bead and the profile is minimal. Depending on the mounting, an optional sledge can be used for rounded (A) or shallow (B) glazing beads.



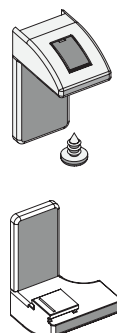
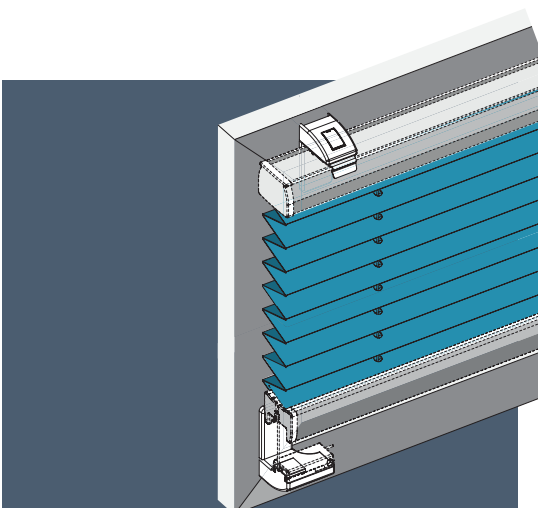
### MOUNTING CLIPS

Designed for installation of stationary profiles - fixed directly to the window glazing beads or on the angles.



### PVC ANGLES

They enable the pleat installation on the window frame. There are two types available: intended for mounting feet and for mounting clips. They can be used with most pleats types.



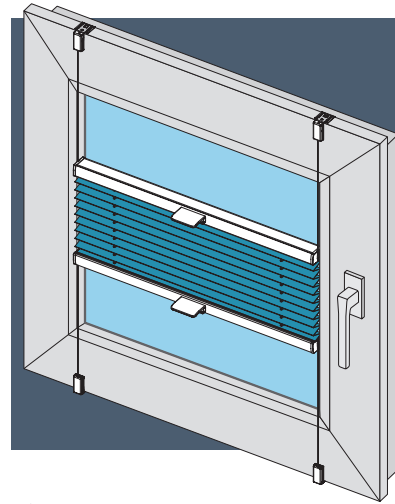
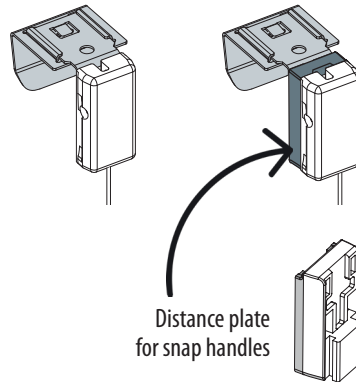
### METAL WINDOW ANGLES WITH PVC COVERS

They enable the pleat installation on the window frame. There are two types available: intended for mounting feet and for mounting clips. The PVC covers are in the profile colours. They can be used for most types of pleats.

### SNAP HANDLES

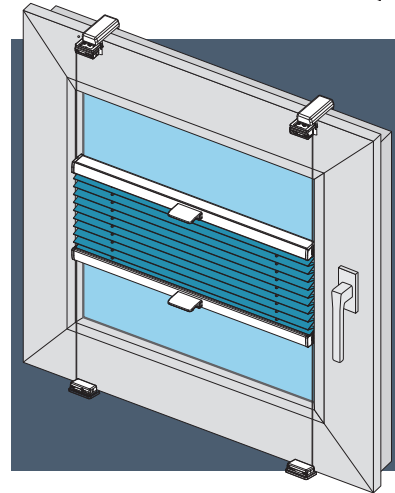
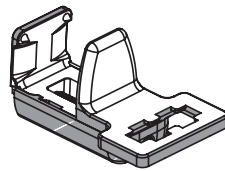
They enable the non-invasive installation of the grip pleat on the window sash. They can be used on tilt and turn windows with gaskets on the frame. The usage additional spacers enables moving the pleat away from the glass plane, thanks to which it can easily overlap the window frame and even cover it completely.

Model P1614.



### NON-INVASIVE CLAMP HANDLES

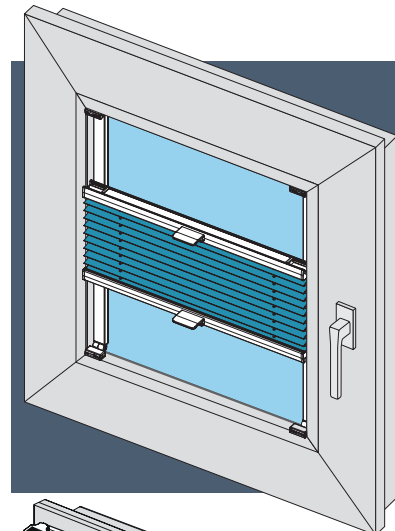
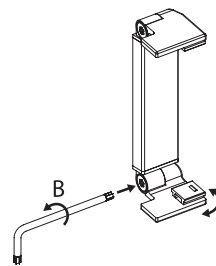
Special holders enable the pleat mounting on the sash without drilling holes in the window frame. The pleat mounted in this way can be easily and quickly dismantled leaving no drilling holes. It can be used for most pleat types.



### SLATS GLUED TO GLASS WITH ADJUSTABLE ANGLES

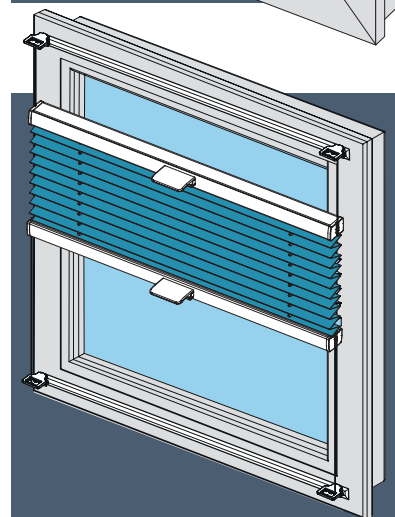
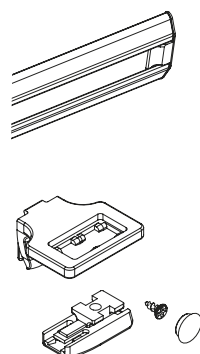
They enable non-invasive installation on the glass. The vertical profile glued to the glass allows the pleat to be aesthetically integrated with the window and also easy to remove.

Model 1616.

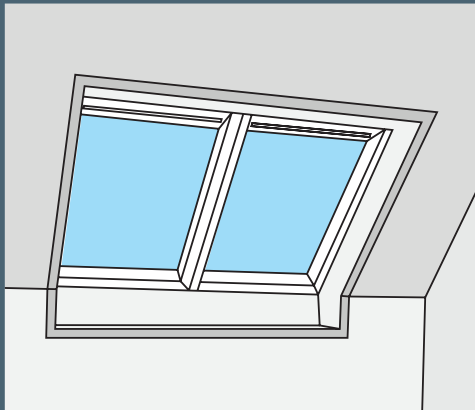


### SLATS STUFFED TO THE FRAME WITH PVC ANGLES

They enable non-invasive installation on the window frame. The slats can be glued horizontally or vertically. A horizontally glued slat enables also a non-invasive mounting string operated pleat. When the slats are peeled off, the frame needs to be cleaned of the adhesive tape remains.



## SOLUTIONS FOR ROOF WINDOWS

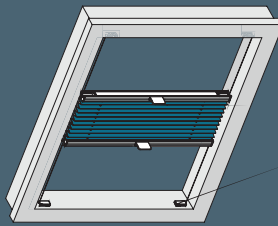
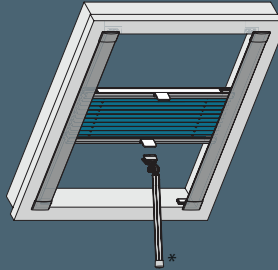


Handle-operated pleated blinds for roof windows. Designed for Velux, Fakro, Roto (etc.) window types.

Maximum roof inclination angle 60°.

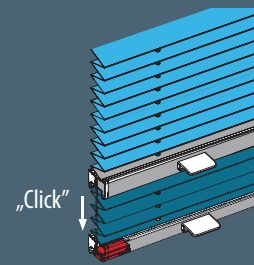
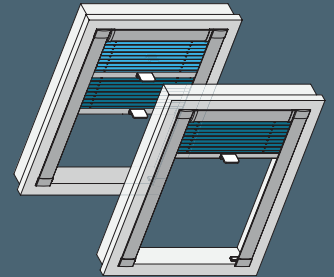
Blind width range from 0,20 m to 1,50 m.  
Blind height up to 1,50 m

A roof pleated blind operated with a handle, opened and closed in two directions, with side profiles (Model P2616).



A handle operated roof pleated blind, opened and closed in two directions with additional side guiding (type P2615).

It is possible to make a two-fabric pleated blinds and to apply an additional cover profile at the top of a pleated blind (types P2601 and P2621).



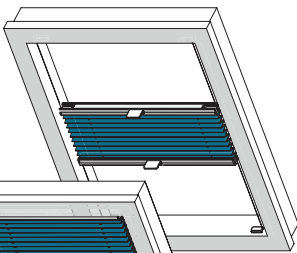
Snap-on interlock of movable profile in handle operated pleated blinds limits the light transmission at the glazing bead to minimum.

„Click“

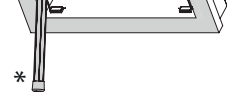
### P2615 / P2600 Roof window blind

! „METAL“ and „MODERN“ handles are not compatible with an operation rod

P2615



P2600



#### P2615

##### Roof window blind - Handle operated pleat:

- independent closing and opening in two directions (up and down) of both pleat profiles,
- mounting the lower and upper strings on mounting feet.

#### P2600

##### Roof window blind - Handle operated pleat:

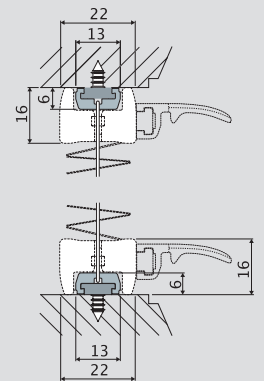
- only the lower pleat profile movable,
- side guide on mounting feet,
- immovable profiles mounting on clips.

Width: min. 0,20 m  
max. 1,50 m

Height: min. 0,20 m  
max. 1,50 m

Window frame depth: min. 27 mm

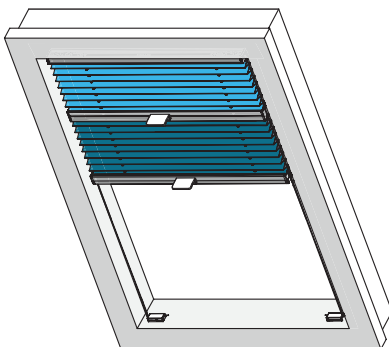
Window tilt angle: max. 60°



P2615

### P2620 Roof window blind - Double fabric

P2620



#### P2620

##### Roof window blind - Handle operated pleat:

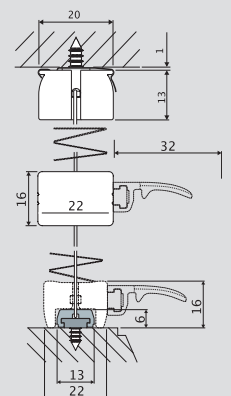
- only lower and middle pleat profiles movable,
- side guide on mounting feet,
- immovable profiles mounting on clips..

Width: min. 0,20 m  
max. 1,50 m

Height: min. 0,20 m  
max. 1,50 m

Window frame depth: min. 27 mm

Window tilt angle: max. 60°

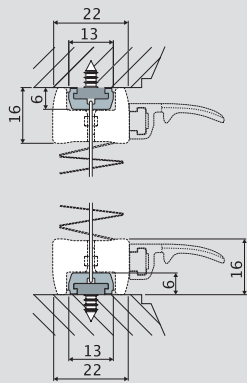


P2620

\* For roof pleated blinds it may be necessary to use an operation rod.

! For blinds wider than 1,10 m a reinforced profile (20mm high) is used, instead of the standard profile (16 mm high).

**P2616 Roof window blind with side cover profiles**



P2616

**P2616**

**Handle operated, roof window blind with cover profiles**

- independent closing and opening in two directions (up and down) of both pleat profiles,
- upper and lower cords fixed on mounting feet,
- side profiles screwed to the window frame.

Width: min. 0,20 m  
max. 1,50 m

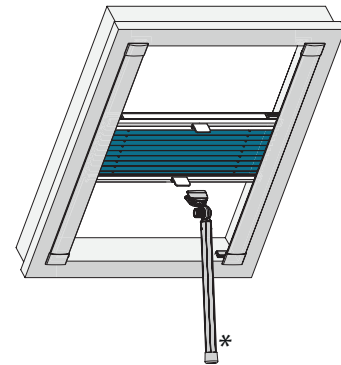
Height: min. 0,20 m  
max. 1,50 m

Window frame depth: min. 38 mm

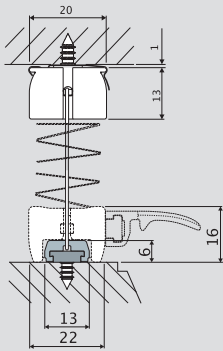
Surface: max. 2,25 m

Window tilt angle: max. 60°

P2616



**P2601 Roof window blind with side cover profiles and top cover profile**



P2601

**P2601**

**Handle operated, roof window blind with side cover profiles and top cover profile**

- only the lower pleat profile movable,
- immovable profile mounting on clips,
- upper and lower cords fixed on mounting feet,
- side profiles screwed to the window frame.

Width: min. 0,20 m  
max. 1,50 m

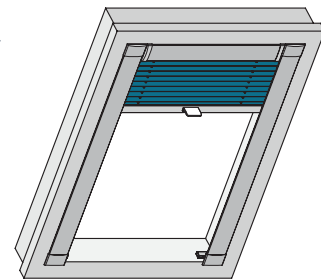
Height: min. 0,20 m  
max. 1,50 m

Window frame depth: min. 38 mm

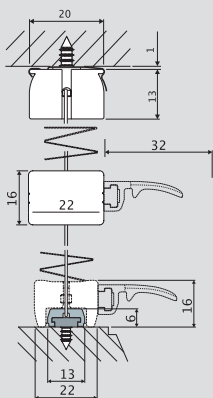
Surface: max. 2,25 m

Window tilt angle: max. 60°

P2601



**P2621 Double fabric roof window blind with side cover profiles and top cover profile**



P2621

**P2621**

**Handle operated, double fabric blind with side cover profiles and top cover profile**

- the lower and the middle pleat profiles movable,
- immovable profile mounting on clips,
- upper and lower cords fixed on mounting feet,
- side profiles screwed to the window frame.

Width: min. 0,20 m  
max. 1,50 m

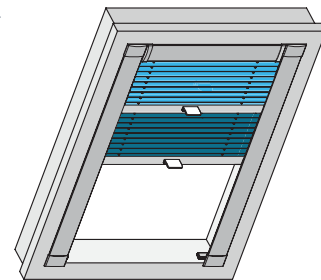
Height: min. 0,20 m  
max. 1,50 m

Window frame depth: min. 38 mm

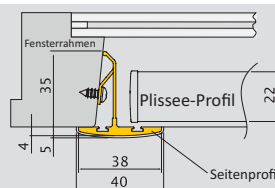
Surface: max. 2,25 m

Window tilt angle: max. 60°

P2621



**Attaching side profiles, shields.**  
(P2616 / P2601 / P2621)

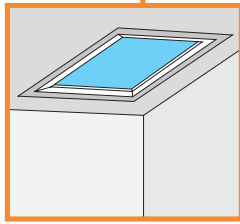


\* For roof pleated blinds it may be necessary to use an operation rod.

! For blinds wider than 1,10 m a high profile (20mm high) is used, instead of the standard profile (16 mm high).

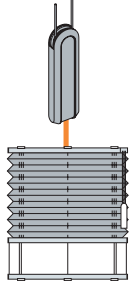
LIST OF AVAILABLE VERSIONS OF PLAFOND PROGRAM

BASIC VERSIONS



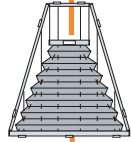
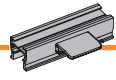
SKYLIGHTS AND WINTER GARDENS

CORD OPERATION

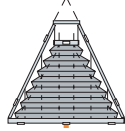


P3100

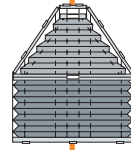
HANDLE OPERATION



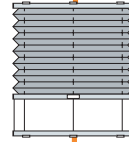
P3435



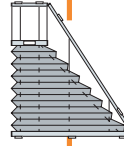
P3437



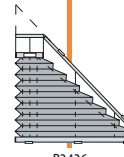
P3463



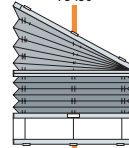
P3400



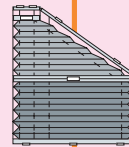
P3434



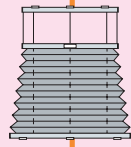
P3436



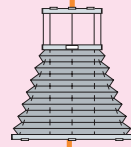
P3450



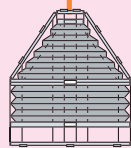
P3462



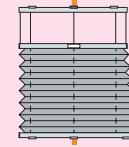
P3431



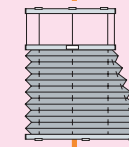
P3433



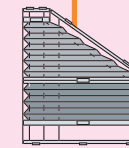
P3461



P3430

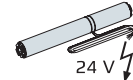


P3432

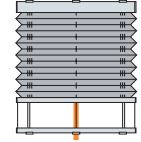


P3460

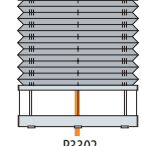
ELEKTRISCHER ANTRIEB



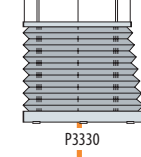
24 V



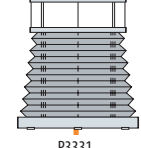
P3300



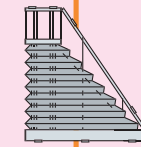
P3302



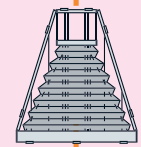
P3330



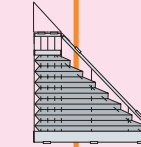
P3331



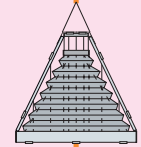
P3334



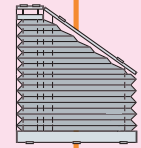
P3335



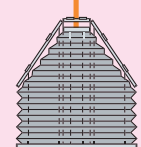
P3336



P3337

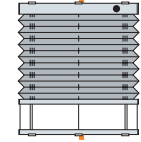
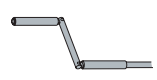


P3362

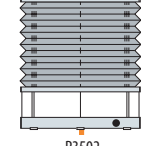


P3363

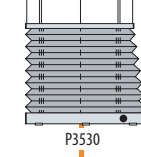
KURBEL



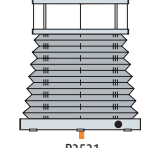
P3500



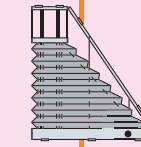
P3502



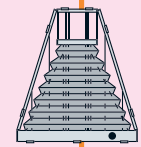
P3530



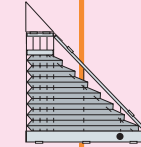
P3531



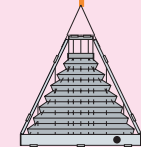
P3534



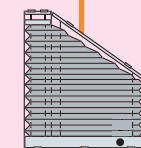
P3535



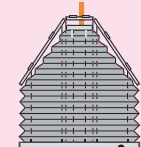
P3536



P3537



P3562

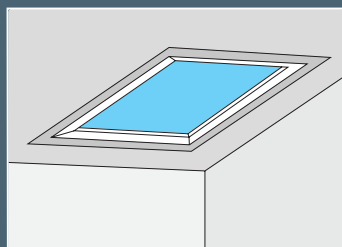


P3563

SPECIAL VERSIONS

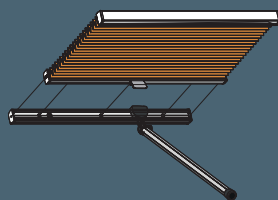
# SOLUTIONS FOR SKYLIGHTS AND WINTER GARDENS

Pleated blinds for skylights and winter gardens are available in various operation variants. Thanks to application of additional side guiding it is possible to install them in the horizontal position. Maximum roof inclination angle is 90°.



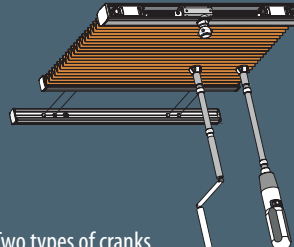
Operation variants of plafond:

Handle operation



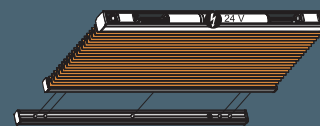
For operation of handle operated plafonds an extension rod may prove to be necessary.

Crank operation



Two types of cranks are available: manual crank and electric crank.

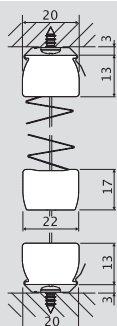
Electric motor



Plafonds may be equipped with wired or wirelessly controlled motors - in the RTS technology.

! „METAL“ and „MODERN“ handles are not compatible with an operation rod

## P3100 Plafond - Cord operation

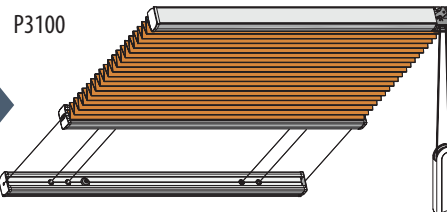


P3100

### P3100 Rechteckiges Plafond with Cord operation:

- opens in one direction,
- only the middle profile moveable,
- Immobile profiles mounting on clips.

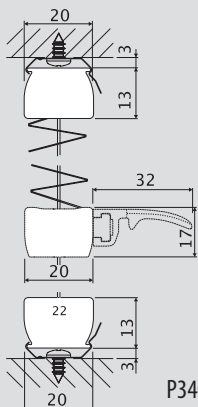
Width:	min. 0,30 m max. 1,50 m
Height (Length):	min. 0,20 m max. 4,00 m
Window tilt angle:	45°-90° (horizontal)



P3100

PLAFOND PROGRAM

## P3400 Plafond – Handle operation

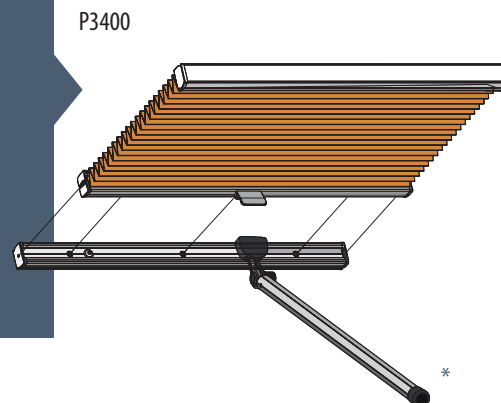


P3400

### P3400 Rechteckiges Plafond with Handle operation:

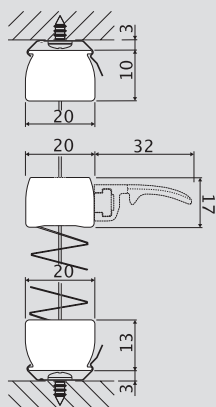
- opens in one direction,
- only the middle profile moveable,
- Immobile profiles mounting on clips.

Width:	min. 0,30 m max. 1,50 m
Height (Length):	min. 0,20 m max. 4,00 m
Window tilt angle:	45°-90° (horizontal)



P3400

## P3434 / P3435 Trapezoid Plafond – Handle operation



P3434 / P3435

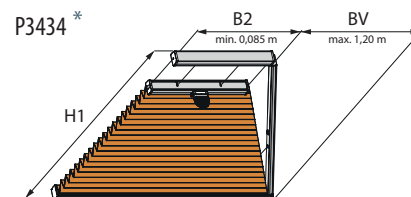
### P3434 Trapezoid Plafond with one-sided slant:

- opens in one direction,
- only the middle profile moveable,
- Immobile profiles mounting on clips.

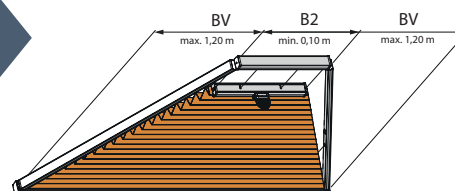
### P3435 Trapezoid Plafond with two-sided slant:

- opens in one direction,
- only the middle profile moveable,
- Immobile profiles mounting on clips.

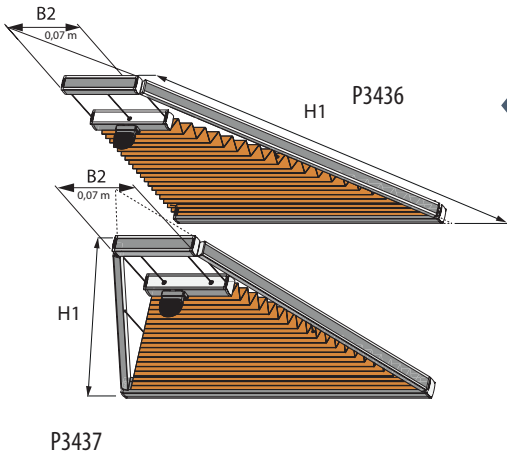
Width:	min. 0,30 m max. 1,50 m
Height:	min. 0,20 m max. 2,00 m
Width B2:	min. 0,085m (Model P3434) min. 0,10 m (Model P3435)
Trapezoid slant (BV):	min. 0,05 m (Model P3434) max. 1,20 m (Model P3435) min. 0,005 m from both sides (Model P3435) max. 0,70 m from both sides (Model P3435)
Window tilt angle:	45° - 90° (horizontal)



P3434 \*



P3435



**P3436 / P3437 - Plafond Triangle – Handle operation**

**P3436**

**Triangle with one-sided slant:**

- opens in one direction,
- only the middle profile moveable,
- Immoveable profiles mounting on clips.

**P3437**

**Triangle with two-sided slant:**

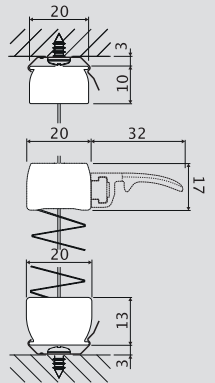
- opens in one direction,
- only the middle profile moveable,
- Immoveable profiles mounting on clips.

Width: min. 0,30 m  
max. 1,20 (P3436)  
max. 1,50 m (P3437)

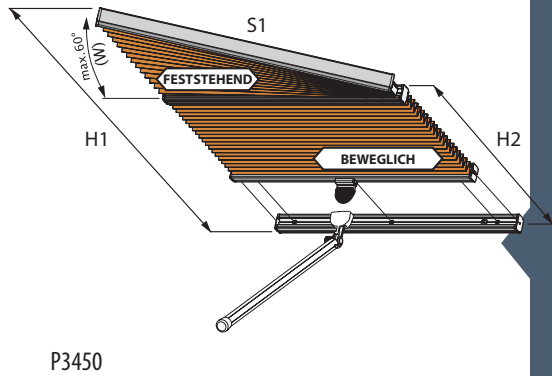
Height (Length): min. 0,20 m  
max. 2,00 m

Width B2: min. 0,07 m

Window tilt angle: 45°-90° (horizontal)



P3436 / P3437



**P3450 Special form – Handle operation**

**P3450**

**Special form – Handle operation:**

- only the rectangular part of the pleat is movable, the triangular part of the blind is stationary,
- opening the rectangular part of the pleat in one direction,
- Immoveable profiles mounting on clips.

Width: min. 0,30 m  
max. 1,50 m

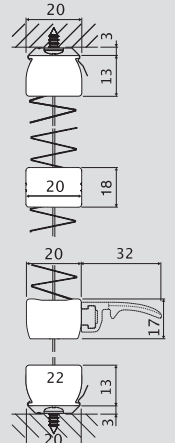
Profile length S1: max. 2,00 m (opening angle max 60°)  
max. 2,20 m (opening angle max 30°)

Height H1: min. 0,20 m  
max. 3,00 m

Height H2: min. 0,10 m  
max. 2,90 m

Blind tilt angle: 5° - 60°

Window tilt angle: 45° - 90° (horizontal)



P3450

P3450

**P3462 / P3463 Special form – Handle operation**

**P3462**

**Special form – Handle operation:**

- trapezoid with a one-sided slope connected with a rectangular part,
- both movable parts of the blinds - opening in one direction,
- Immoveable profiles mounting on clips.

**P3463**

**Special form – Handle operation:**

- trapezoid with a two-sided slope connected with a rectangular part,
- both movable parts of the blinds - opening in one direction
- Immoveable profiles mounting on clips.

Width: min. 0,20 m (Model P3462)  
min. 0,30 m (Model P3463)  
max. 1,20 (max Height 2,00 m)  
max. 1,50 (max Height 1,50 m) Model P3462

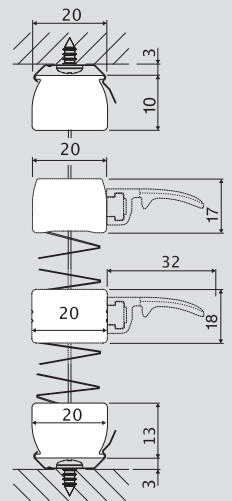
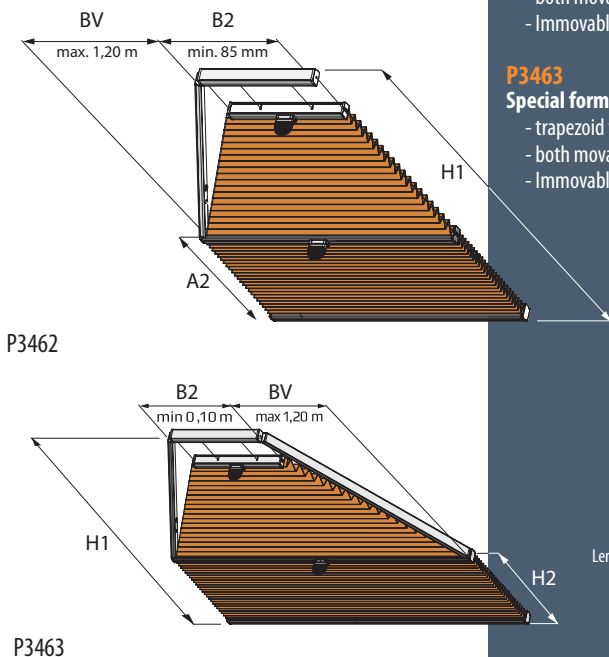
Height H1: min. 0,20 m  
max. 2,00 m

Side height H2: min. 0,10 m  
max. 1,90 m

Trapezoid slant BV: min. 0,05 m (Model P3462)  
max. 1,20 m (Model P3462)  
min. 0,05 m on both sides (Model P3463)  
max 0,70 m on both sides (Model P3463)

Length of the upper profile B2: min. 0,085 m (Model P3462)  
max. 1,45 m  
min. 0,10 m (Model P3463)  
max. 1,40 m

Window tilt angle: 45°-90° (horizontal)



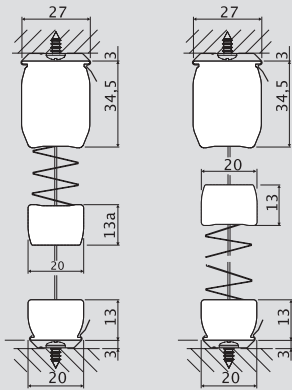
P3462 / P3463

P3462

P3463

 The use of an operating rod may be required for handle-operated systems.

P3300 / P3302 Plafond - Electric drive



P3300

P3302

**P3300**

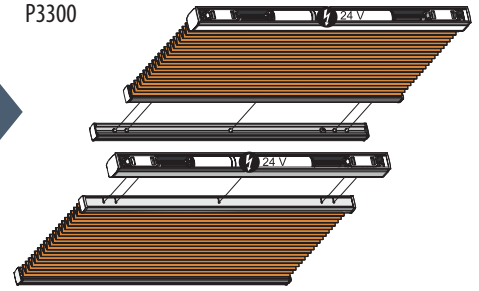
**Rectangular Plafond with electric drive:**  
 - opens in one direction – to the motor rail,  
 - Immovable profiles mounting on clips.

**P3302**

**Rectangular Plafond with electric drive:**  
 - opens in one direction – from the motor rail  
 - Immovable profiles mounting on clips.

Width:	min. 0,80 m max. 1,50 m
Height:	min. 0,20 m max. 4,00 m
Height (Length):	max. 4,00 m
Window tilt angle:	45° - 90°

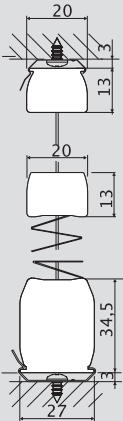
P3300



P3302



P3330 / P3331 Trapezoid Plafond – Electric drive  
 P3530 / P3531 Trapezoid Plafond – Crank operation



P3330 / P3331

**P3330**

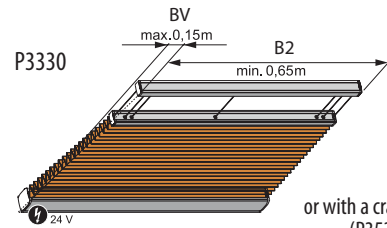
**Trapezoid Plafond with electric drive, with one-sided slant:**  
 - opens in one direction – to the motor rail,  
 - Immovable profiles mounting on clips.

**P3331**

**Trapezoid Plafond with electric drive, with two-sided slant:**  
 - opens in one direction – to the motor rail,  
 - Immovable profiles mounting on clips.

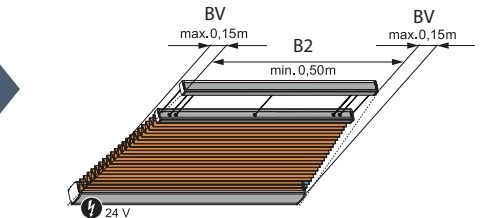
Width:	min. 0,80 m max. 1,50 m
Height (Length):	max. 4,00 m
Width B2:	min. 0,65 m (Model P3330) min. 0,50 m (Model P3331)
Trapezoid slant (BV):	max. 0,15 m (on one or both sides)
Window tilt angle:	45° - 90° (horizontal)

P3330



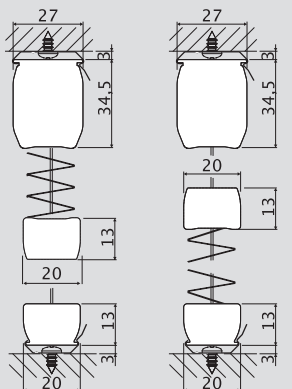
or with a crank drive (P3530)

P3331



or with a crank drive (P3531)

P3500 / P3502 Plafond - Crank operation



P3500

P3502

**P3500**

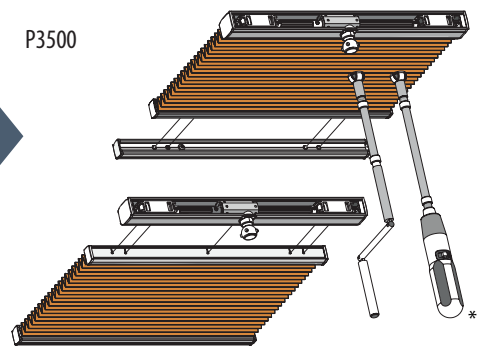
**Rectangular Plafond with crank operation:**  
 - opens in one direction – to the motor rail,  
 - Immovable profiles mounting on clips,  
 - the crank is not included in the price of the pleat - it must be ordered separately.

**P3502**

**Rectangular Plafond with crank operation:**  
 - opens in one direction – from the motor rail  
 - Immovable profiles mounting on clips,  
 - the crank is not included in the price of the pleat - it must be ordered separately.

Width:	min. 0,75 m max. 1,50 m
Height (Length):	min. 0,20 m max. 4,00 m
Window tilt angle:	45° - 90° (horizontal)

P3500



P3502



# 16 MM PLEATED BLINDS SYSTEM

The 16-mm pleated blinds are an ideal solution for windows with narrow glazing beads and for sliding patio doors where no other sun protection can be used due to space limitations. A characteristic feature of the 16 mm pleated blind is a narrow handle profile, which ensures smooth operation of the pleated blind, and the special 15 mm wide fabrics (20 mm Honeycomb) designed for this system. In the range of 16 mm pleated blinds, there are two models to choose from, which differ in the way they are mounted. The P4615 model is mounted on mounting feet on the glazing beads and the P4616 model is mounted on non-invasive adhesive profiles that are glued to the window frame.



## 16 MM PLEATED BLIND FABRIC COLLECTION

Our new fabric collection for 16 mm pleated blinds consists of 42 fabrics (14 of the Honeycomb type) presented in an elegant and practical folder. In the folder, in addition to fabric samples, you can find technical information about the pleated blind models available in the system, their maximum dimensions and mounting methods.



## PROFILE COLOURS

**RAL 9016**

WHITE  
POWDER



**E6 EV1**

SILVER  
ANODISED

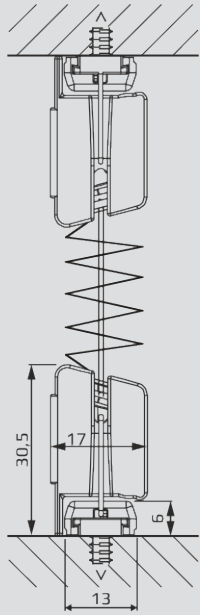


**RAL 7016**

ANTHRACITE - STRUCTURE\*  
POWDER



\* for the colour anthracite - sand structure all plastic components are **black**



P4615

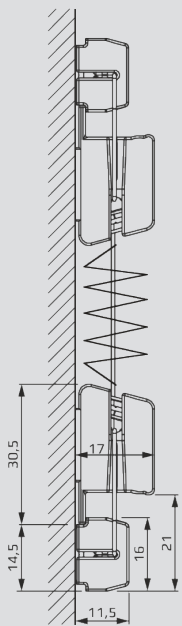
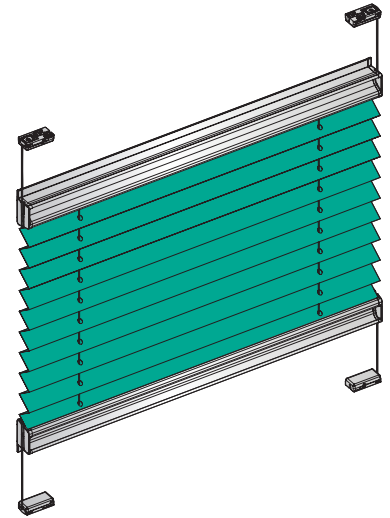
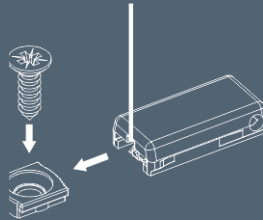
## P4615

### Pleated blind operated by profile:

- Independent closing and opening in two directions (up and down) of both profiles,
- Cords fixed on mounting feet.

Width:	min. 0,20 m max. 0,80 m (Height 2,50 m) max. 1,20 m (Height 2,20 m) max. 1,50 m (Height 1,60 m)
Height:	min. 0,20 m max. 2,50 m
Surface:	max. 2,60 m <sup>2</sup>
Window tilt angle:	max. 15°

### MOUNTING



P4616

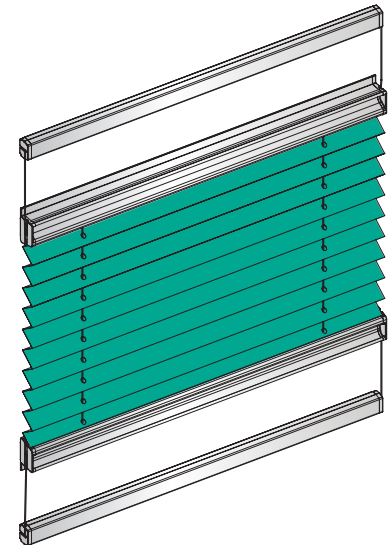
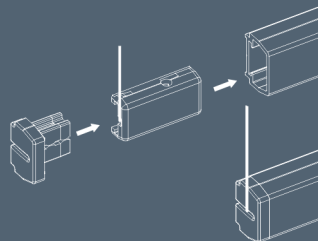
## P4616

### Pleated blind operated by profile:

- Independent closing and opening in two directions (up and down) of both profiles,
- Mounting with non-invasive adhesive profiles mounted vertically on the pane.

Width:	min. 0,20 m max. 0,80 m (Height 2,50 m) max. 1,20 m (Height 2,20 m) max. 1,50 m (Height 1,60 m)
Height:	min. 0,20 m max. 2,50 m
Surface:	max. 2,60 m <sup>2</sup>
Window tilt angle:	max. 15°

### MOUNTING



## OPERATION VIA PROFILE

The 16 mm pleated blinds have no operating handle - the pleated blind is operated via two movable profiles that can be positioned as desired. A special recess in the profiles allows them to be gripped comfortably and moved smoothly over the entire height of the pleated blind.

# COULISSE SKYLIGHT - ROOF PLEATED BLIND

The **Coulisse Skylight** roof pleated blind is a modern and functional solution for a roof window, which ensures a full control of the light amount coming through the roof window into the room. It proves perfect where sound sleep and good rest as well as protection of privacy are important.

## TECHNIQUE

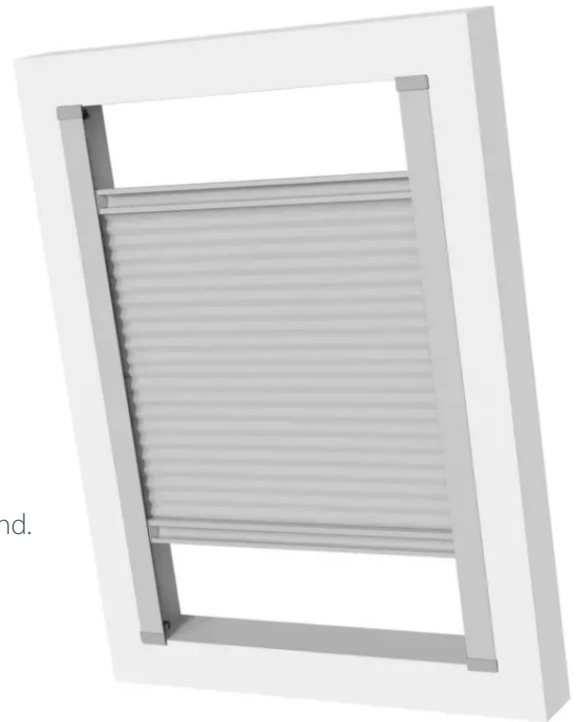
Two movable pleated blind profiles provide light and smooth operation of blinds. The profiles' shape allows their comfortable grab and possibility to stop them at any position, and thus the sunlight supply to the room can be adjusted. Aluminium side profiles, in which the horizontal operation profiles move, are not only an elegant supplement for the whole product, but they also eliminate side light transmissions between the pleated blind fabric and the window frame.



Watch a video:

Installation of Coulisse Skylight roof pleated blind.

 <https://youtu.be/iagfZgmFqnE>



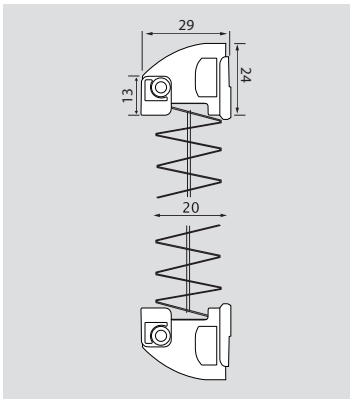
## FABRICS

A perfect solution for roof pleated blinds are Honeycomb fabrics, possessing thermo-insulating properties as well as fabrics with the Alu-Pearl coating that reflects the sun rays. Therefore, while deciding on a roof pleated blind, not only the decorative aspect of a given fabric is worth considering, but its thermal properties as well. Roof pleated blinds not only control the amount of the sunlight coming through a window, but they also affect the temperature in the room to great extent. The proper fabric choice for a roof pleated blind can not only protect the room inside from uncomfortable heating up in sunny and summer days but also create additional thermal insulation by limiting the heat loss in winter.

**coulisse**  
DECORATION SOLUTIONS



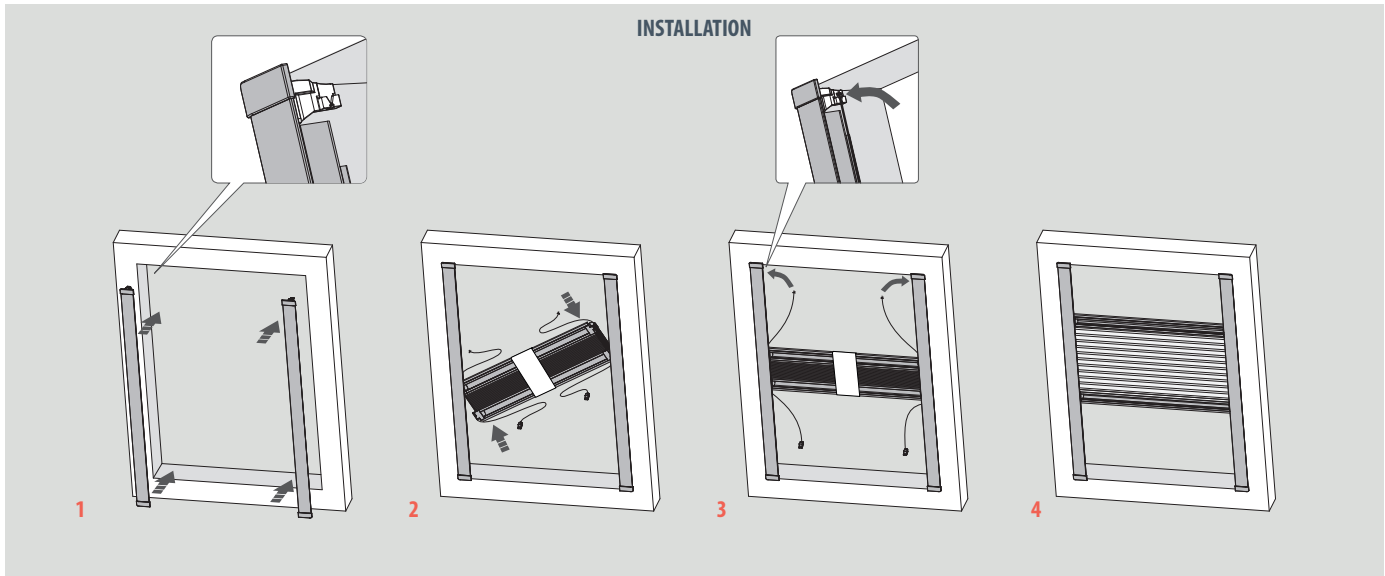
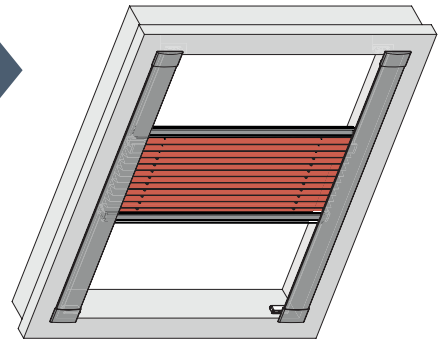
SKYLIGHT



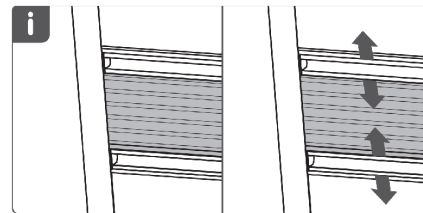
**SKYLIGHT PLEATED BLINDS**  
**Roof window blind with side cover profiles:**

- Independent opening and closing of both profiles in two directions (upwards and downwards)
- Side profiles are screwed to the inside of the window frame.

Colour: ..... anodised silver  
 Width: ..... max. 118 cm  
 Height: ..... max. 136 cm

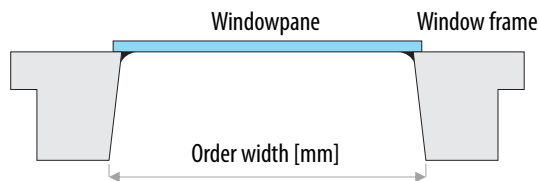
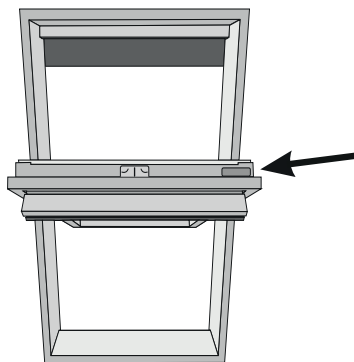


The pleated blind is operated by two movable profiles that may be set at any position, which enables a smooth regulation of the room sun exposure. A special dent in the profiles allows their comfortable grab and smooth movement on the whole height of the pleated blind.



**NOTE:**

- When placing an order for a roof pleated blind, please provide dimensions - width and height of the inner side of a window frame. To exclude any mistakes, it is also important to provide the symbol and type as well as the production year of a roof window in order form notes. This information can be found on the rating plate located on the window frame.



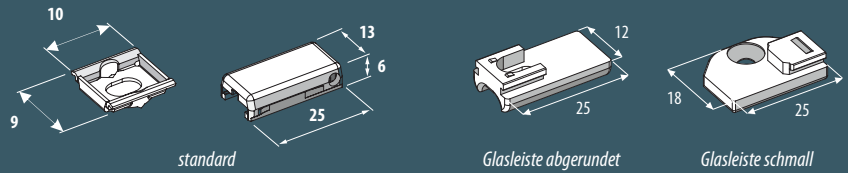
**! IMPORTANT**

Easy installation, performed precisely according to instruction does not affect any window components, witch damage might result in losing varranty rights for the window.

# Installation elements

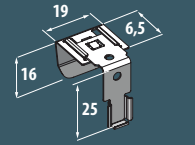
## Mounting feet

Available colours:  
white, beige, brown, grey, black



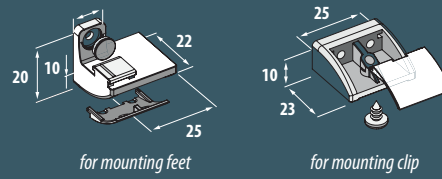
## Snap handle

(for mounting feet - Model P1414 or P1614)  
Available colour:  
silver-galvanized



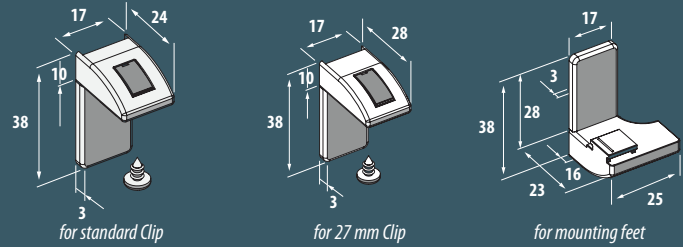
## Glass bead angle

(for Mounting feet and mounting clip)  
Available colours:  
white, beige, brown, grey, black



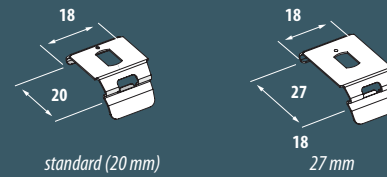
## Steel bracket

with PVC covers  
(for Mounting feet and mounting clip)  
Available colours:  
white, beige, brown, grey, black



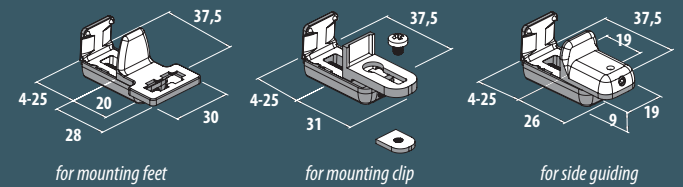
## Mounting clip

20 mm and 27 mm  
Available colours:  
silver-galvanized, white, black, brown, beige



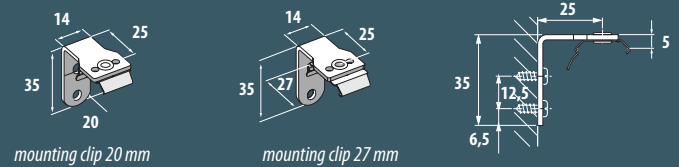
## Block holder

(for Mounting feet and mounting clip)  
Available colours:  
white, beige, brown, grey, black



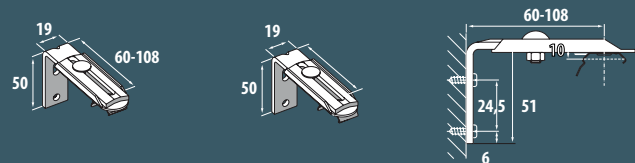
## Steel bracket with mounting clip

(for mounting clip 20 mm and 27 mm)  
Available colours:  
silver-galvanized, white, black, brown, beige



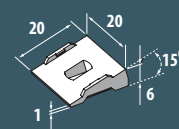
## Wandwinkel verstellbar

(for mounting clip 20 mm and 27 mm)  
Available colours:  
silver-galvanized, white

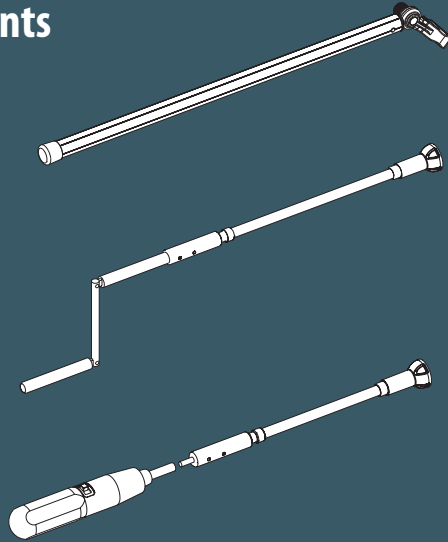


## Leveling bracket 15°

for use with strongly inclined glazing beads  
(transparent)



## Operation elements



### Operation rod

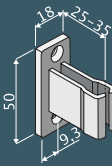
Available colour: silver-anodized  
Standard length: 1,0 m, 1,5 m, 2,0 m  
(max. length - 3 m)

### Crank

Available colour: silver-anodized  
Standard length: 1,0 m, 1,5 m, 2,0 m  
(max. length - 3 m)

### Electric crank

Available colour: silver-anodized  
Standard length: 1,0 m, 1,5 m, 2,0 m  
(max. length - 3 m)



### Crank holder

(25 mm / 35 mm)

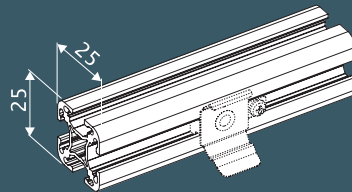
Available colours:  
white, grey



### Cord winder

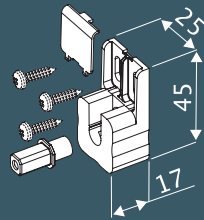
Available colour: white

## Construction elements



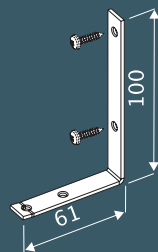
### Mounting profile (aluminium) 25x25 mm

Available colours:  
powder coating - white, beige  
anodized - silver, black, brown



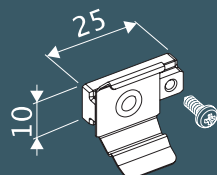
### Side holder for mounting profile

Available colours:  
white, beige, brown, grey, black



### Metal bracket for mounting profile

Available colours:  
powder coating - white, beige  
anodized - black, brown  
silver-galvanized



### Glider with mounting clip

Available colours:  
powder coating - white, beige  
anodized - silver, black, brown

# ELECTRIC MOTORS

Our offer in the range of electric drives is based on products from the French company SOMFY - a renowned producer in the industry. We offer a wide selection of solutions: including the traditional cable control, which cooperates with the increasingly more popular „smart home“ systems (EIB), as well as radio-controlled transmitters (RTS), which give the possibility to be managed via Internet applications. As a long standing supplier of internal sun shields with electric drives, we provide knowledge and experience, as well as help in choosing optimal solutions.



MOTORS

somfy®

## TILT & LIFT WireFree RTS 12 V

Drive powered by 12 V batteries or by a power-supply, radio-controlled in the RTS technology. The nominal torque is 0,8 Nm. Precision of the operation of limit switches +/- 5° guarantees a proper regulation of pleated blind's end positions. A remote setting of end positions with RTS remote controls.

■ Somfy - 1002461



### Technical data:

control:	via radio RTS
radio frequency:	433.42 MHz
nominal voltage:	12 VDC
torque:	0.8 Nm
rotation:	30 rpm
diameter:	25 mm
total length:	201 mm

## AKKUPACK TILT&LIFT RTS

■ Somfy - 9021217



250 x 25 x 23 mm

External battery pack for all 12 V powered motors. Thanks to the new battery pack, the 12 V motors of 25 mm blinds (wooden or aluminium) can be supplied with power without having to lay any cables. The battery pack has two different mounting options, you can choose whether you attach it to the wall or ceiling or directly to the top rail of the blind. The battery pack only needs to be recharged a few times a year if you operate the blind once a day. You can charge the battery pack either with the plug-in power supply unit from Somfy, item no. 9021028, or with the help of the solar panel from Somfy, item no. 9025293. The solar panel ensures that the battery is constantly charged.

### Montage Wall/Ceiling



## SOLAR PANEL FOR AKKUPACK

■ Somfy - 9025293



301 x 40 x 11 mm

### Technical data:

Power supply:	12 V DC SELV
Akkutyp:	Li-Ion
Charging time:	6 hours max.
Battery capacity:	2600 mAh
Operating temperature:	0 °C - 60 °C
Charging temperature:	0 / 45 °C

### Montage on top rail



**MOTOR SOMFY LW25 - B83 24 V DC**

Central drive for pleated blinds. Automatic setting of end positions. 24 V DC power supply. No electrician required for installation. Optional RTS radio receivers for remote control of the drives are available.

■ Somfy - 1000031

**Technical data:**

control:	wire
nominal voltage:	24 VDC
torque:	0.8 Nm
speed of rotation:	pulling up 30 rpm rotating 45 rpm
diameter:	24 mm
total length:	205 mm

**POWER SUPPLY UNIT (PLUG-IN) 230/24V DC, 1A**

- Stabilised power supply unit.
- Can power a single motor.
- It does not require any special installation.

<b>Technical data:</b>	voltage (input):	207 V bis 243 V
	frequency:	50 - 60 Hz
	voltage (output):	24 VDC + 3% / - 5%
	current max.:	1000 mA

■ Somfy - 1870279

**POWER SUPPLY UNIT POWER 1.0 DC 24 VDC FLUSH-MOUNTED**

- Small power supply unit for flush in-wall mounting.
- Perfect solution for powering a single motor.

<b>Technical data:</b>	voltage (input):	od 100 do 240 V
	frequency:	50 - 60 Hz
	voltage (output):	24 V DC

■ Somfy - 1870274

**POWER 1,5 DC 24 V GROUP POWER SUPPLY UNIT**

- Surface mounting.
- Can power up to 3 motors.
- Mains plug sold separately

<b>Technical data:</b>	voltage (input):	90 bis 264 V
	frequency:	43 - 67 Hz
	voltage (output):	24 VDC (90 bis 240 VDC)
	current max.:	1500 mA

■ Somfy - 1870149

**POWER 2,5 DC RTS GROUP POWER SUPPLY UNIT**

- Power supply unit with integrated RTS receiver ~ 230V/ 24V DC.
- Can power and control up to 6 motors.
- Compatible with all RTS Somfy transmitters.

<b>Technical data:</b>	voltage (input):	198 V bis 255 V
	frequency:	50 Hz
	voltage (output):	24 VDC
	current max.:	2500 mA

■ Somfy - 1870157





**POWER 2,7 DC 24 V**

- Surface mounting
- Can power up to 6 motors.

**Technical data:**  
 voltage (input): : 198 V bis 255 V  
 frequency: : 50 Hz  
 voltage (output): : 24 VDC +/- 5%  
 current max.: : 2700 mA

■ Somfy - 1870156



**ANIMEO DC 230 V AC / 24 V DC GROUP POWER SUPPLY UNIT**

- Surface mounting.
- Can power up to 11 motors.
- Stabilised power supply unit.

**Technical data:**  
 voltage (input): : 220 V bis 240 V  
 frequency: : 50 - 60 Hz  
 voltage (output): : 24 VDC +/- 5%  
 current max.: : 4500 mA

■ Somfy - 1860093



**INIS DC 24 V POWER SUPPLY SWITCH**

- A single control switch integrated power supply unit for a 24 VDC wire-controlled motor.
- Easy installation in a standard flush-mounted box or in a surface mounted housing.

**Technical data:**  
 voltage (input): : 230 V  
 frequency: : 50 Hz  
 voltage (output): : 24 VDC  
 current max.: : 700 mA

■ Somfy - 1870071



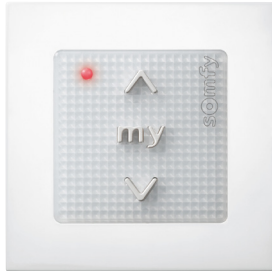
Our company is a member of the prestige „Powered by Somfy“ program. Participation in this program confirms the highest quality of offered products and confirms the top quality of customer service.



### SMOOVE ORIGIN RTS WALL SURFACE-MOUNT SWITCH

- Wireless wall-mounted RTS switch to control a single motor, group of motors or central control.
- Compatible with all RTS powered systems (internal & external).
- Battery powered - no wiring required.
- Supplied with a mounting plate easy and quick to install on a wall, flush-mounted installation nest is not required.

Somfy - 1811045



Set contains a frame.

### SITUO 1 RTS REMOTE CONTROL - COLOUR PURE (GREY + WHITE)

- A single channel remote control.
- Can control a single motor or 1 group of motors at the same time.
- Compatible with all external and integrated RTS receivers.
- „My” function will memorise your favorite position and recall it by pressing this key. Simple to programme and to modify.
- Wall bracket in set.

Somfy - 1800128



### SITUO 5 RTS REMOTE CONTROL - COLOUR PURE (GREY + WHITE)

- 5-channel remote control.
- Can control a single motor or up to 5 groups of motors at the same time.
- Compatible with all external and integrated RTS receivers.
- LED diode indicates sending commands; displays battery charge level and selected channel.
- Wall bracket in set.

Somfy - 1800139



### TELIS 16 PURE HAND-HELD - COLOUR PURE (WHITE)

- 16-channel remote control.
- Can control a single motor or up to 16 groups of motors at the same time.
- Compatible with all external and integrated RTS receivers.
- The on-screen makes it easy to program and navigate through settings. You can assign each channel a name, icon and/or number.
- Powered by batteries, displays battery charge level.

Somfy - 1811079



Colour Silver is available at request. NOTE: each colour - different price.

### TELIS CHRONIS 6 REMOTE CONTROL

- 6-channel remote control with LED display.
- Can control a single motor or up to 6 groups of motors at the same time.
- Both: manual mode and time scheduled automatic mode available.
- Different scheduled operation available for each day of a week, up to 6 different timed events per day.
- The twilight function (closure at sunset), vacation mode functions and automatic summer / winter time change.

Somfy - 1805215





### SIMU Hz 5-CHANNEL RADIO TRANSMITTER

- Wireless transmitter enables individual control of 5 roller blinds or 5 groups of roller blinds with the possibility to create areas and central control of a home.
- The pre-programmed ALL channel, ensures simultaneous operation of all 5 channels.
- LCD display enables to name each channel with 2 marks.
- Low battery warning signal.

Available in two versions:

■ Simu - 2008335



Wall surface version – mounted in a chosen place.

■ Simu - 2008798



Portable version - always close at hand.



SIMU transmitters are compatible with all SOMFY drives in the RTS technology.



### CENTRALA TAHOMA® SWITCH

Somfy - 1811429

TaHoma® switch is the intelligent solution for a centralisation of home appliances. Discover two buttons that you can personalise to activate your scenarios.

Simple programming - each device can be given a clear name and assigned to a room. With TaHoma Switch, you can create up to 40 individual scenarios and schedules to suit your lifestyle. With TaHoma Switch, you will improve safety, increase comfort and reduce energy consumption.

Smart control with two buttons. Each activates a pre-programmed scenario without having to activate the mobile app. Simply press one of the buttons and the TaHoma Switch activates the scenario „Leaving the house” - the lights in the house are switched off, the blinds are lowered, the room temperature is lowered and the alarm is activated, or activate the „Getting up” scenario, your house wakes up with you, the blinds are raised, the lights, the coffee machine or your favourite music are switched on.





### MODULIS DC 24 V EXTERNAL RADIO-BROADCAST RECEIVER

- Compatible with transmitters, Mod/Var function and Sunis sensor.
- Possibility for individual and group control (max. 2 drives).

**Technical data:**

frequency: : 433,42 MHz  
 voltage (output): : 24 VDC  
 current max.: : 1300 mA

■ Somfy - 1870138



### INTERNER RTS-RADIOEMPFÄNGER CONCEPT 25, 24 V DC

- Compatible with RTS transmitters, Mod/Var function and Sunis sensor.
- Individual and group control options (max. 2 motors).
- Installation in the system rail.
- Signal line from the receiver to the second motor with cable.

**Technical data:**

frequency: : 433,42 MHz  
 voltage (output): : 24 VDC  
 current max.: : 1300 mA

■ Somfy - 1870143



### POWER 2,5 DC RTS GROUP POWER SUPPLY UNIT

- Power supply unit with integrated RTS receiver ~ 230V/ 24V DC.
- Can power and control up to 6 motors.
- Compatible with all RTS Somfy transmitters.

**Technical data:**

voltage (input) : 198V - 255V  
 frequency: : 433,42 MHz  
 voltage (output): : 24 VDC  
 current max.: : 2500 mA

■ Somfy - 1870157



## SMART HOME

Enjoy the advantages of the control system while using your tablet, smartphone, laptop or smart watch.





### MOTOR BREL BJE24D 12 V

Motor with a nominal torque of 0.8 Nm. Designed for 12 V power supply via an external battery or plug-in mains adapter. Controlled by radio signal (remote control, wall switch) or mobile app via Home Hub.



<b>Technical data:</b>	application:	pleated blinds
	plug type:	JST
	control:	radio / BiDirect
	nominal voltage:	12 V
	torque:	0,8 Nm
	speed:	34 rpm
	diameter:	24 mm
	total length:	210 mm

### MOTOR BREL BJE24TD 12 V

This is an innovative and patented 12V motor from Brel Motors for pleated blinds fitted with an additional centre profile. The BJE24TD drive enables independent control of the lower and middle profile independently, which means that the pleated blind can be set in any position. The drive can be operated by radio only with one of two dedicated remote controls or by mobile application (via Home Hub) - powered by an external battery or a plug-in power supply.



<b>Technical data:</b>	application:	pleated blinds models: P1910, P1912, P1915, P1922, P1925
	plug type:	JST
	control:	radio / BiDirect
	nominal voltage:	12 V
	torque:	2x0,6 Nm
	speed:	34 rpm
	diameter:	24 mm
	total length:	320 mm

### MOTOR BREL BJE24TR 12 V

The drive was developed in co-operation with Benthin and is dedicated exclusively to the P1950 trapezoidal pleated blind. The BJE24TR makes it possible to open trapezoidal pleated blinds completely, which was not possible with other motors. The drive can be operated by radio, exclusively with one of two dedicated remote controls or with a mobile app (via Home Hub) - powered by an external battery or a plug-in power supply. Like the BJE24TD drive, it is protected by patent law.



<b>Technical data:</b>	application:	pleated blinds models: P1950
	plug type:	JST
	control:	radio/ BiDirect
	nominal voltage:	12 V
	torque:	10 Nm
	speed:	9 rpm
	diameter:	24 mm
	total length:	210 mm



### DD-1862 REMOTE CONTROL PANEL

- 15-channel remote control panel.
- For motors BJE24TD and BJE24TR.



### DD-2762 REMOTE CONTROL PANEL

- 15-channel remote control panel.
- For motors BJE24TD and BJE24TR.





### DD-2700 REMOTE CONTROL PANEL

- 1-channel remote control panel.
- Controlled by means of pressing up, down, and stop buttons.
- Power supplied by CR2450 battery.
- Magnetic wall holder included.



### DD-2702 REMOTE CONTROL PANEL

- 15-channel remote control panel.
- Legible display.
- Controlled by means of pressing up, down, and stop buttons.
- Power supplied by CR2450 battery.
- Magnetic wall holder included.



### ONE SWITCH DD-2770

- 1-channel switch.
- Controlled by means of pressing up, down, and stop buttons.
- Power supplied by CR2450 battery.
- Magnetic wall holder included.



### MULTI-DISPLAY SWITCH DD-2773

- 15-channel switch.
- Legible display.
- Controlled by means of pressing up, down, and stop buttons.
- Power supplied by CR2450 battery.
- Magnetic wall holder included.



## SMART HOME



### BREL HOME HUB BI-DIRECTIONAL DD-1554

Brel Home Hub is a Wi-Fi bridge that allows you to control your Brel motors via a mobile app. Up to 20 scenarios can be created to fully automate the sunshades in your home. Brel Home Hub allows two-way communication with more than 30 drives.

#### Technical data:

- power: Micro USB DC 5V/1A\*
- Wi-Fi: 2,4 GHz
- frequency: 433,92 MHz
- dimensions: 65 x 20 x 15 mm





### CHARGER WITH DIN CONNECTOR DC-212

- 230 V AC / 12 V DC.
- When the battery is fully charged, the LED on the charger will change color from red to blue.



### CHARGER USB DC-220



### BATTERY DC-1201

- 950 mAh battery to power the drives.
- Battery rechargeable via solar panel.
- Plug type: DIN and JST.
- Dimensions: 105x24 mm.



### BATTERY DC-1277

- 2600 mAh battery to power the drives.
- Battery rechargeable via solar panel.
- Plug type: DIN and JST.
- Available in white or black.
- Dimensions: 245x30x30 mm.



### CABLE WITH DIN CONNECTOR Z-41

- Available in length: 25 cm, 50 cm, 100 cm, 200 cm.



### CABLE WITH JST CONNECTOR Z-41

- Available in length: 25 cm, 50 cm, 100 cm, 200 cm.



### POWER SUPPLY WITH JST CONNECTOR DC-202

- 12 V power supply with JST connector for direct power supply to the motors



### SOLAR PANEL WITH DIN CONNECTOR DC-1290

- For charging battery motors and external batteries.
- Plug type: DIN.
- Dimensions: 558x65x10 mm.

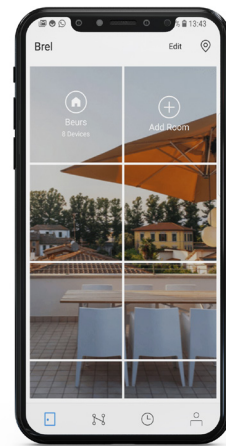
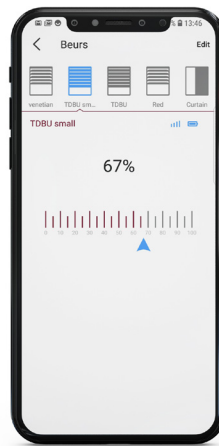
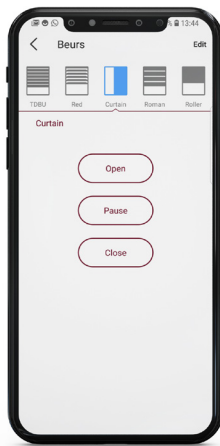
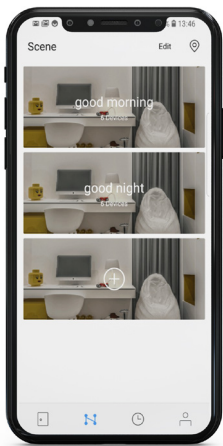


## BREL HOME MOBILE APPLICATION

### HIGHER LEVEL OF COMFORT

By choosing the Brel Home app, you can achieve optimal comfort in your daily life. With the ability to program scenarios, you will set the pleated blinds to the position of your choice at a specific time. Program a morning scenario that will activate with your alarm clock and when you get out of bed the windows will be uncovered and you can enjoy the sunshine.

The application works with the Brel Home Hub control unit. (p. 41)



Download the Motion Blinds application on a mobile device from the App Store or Google Play shop!





**MOTOR COULISSE CM-07 12 V**



**MotionBlinds**

**Technical data:**

application:	pleated blinds
plug type:	JST
control:	radio
nominal voltage:	12 V
torque:	0,8 Nm
speed:	34 rpm
diameter:	24 mm
total length:	210 mm



**REMOTE CONTROL CM-13**

- 15-channel remote control.
- Can control up to several drives.
- Wall holder in set.
- Zasilany baterią CR2430 3.0V



**REMOTE CONTROL CM-12**

- 5-channel remote control.
- Can control up to several drives.
- Wall holder in set.
- Zasilany baterią CR2430 3.0V



**REMOTE CONTROL CM - 11**

- 1-channel remote control.
- Can control a single drive or 1 group of drives.
- Wall holder in set.
- Zasilany baterią CR2430 3.0V



**CONTROL CENTER CM-19**

- Integration with systems of home automation.
- Unlimited number of operated devices.
- Programming up to 15 scenarios.



**WI-FI BRIDGE CM - 20**

- Enables to control roller blinds with mobile application
- Connection up to 30 roller blinds at the same time
- Unlimited number of scenarios
- Two-directional communication

**MINI WIFI BRIDGE CMD-01**

- Enables the blinds to be controlled via a mobile app, from anywhere in the world.
- Possibility of connecting 30 sun shades simultaneously.
- Bi-directional communication.

<b>Technical data:</b>	power supply:	USB
	dimensions:	length - 83 mm width - 30 mm height - 14 mm
	reach:	20m

**POWER SUPPLY 12V CM-21**

- Do zasilania jednego napędu

<b>Technical data:</b>	voltage (input):	AC 100V-240V
	frequency:	30/60 Hz
	voltage (output):	DC 12V 2.0A
	dimensions:	length - 70 mm
		width - 55 mm height - 80 mm

**BATTERY 12V CM-39****Technical data:**

battery type:	Li-on
capacity:	2600 mAh
nominal voltage:	11,1 V
input:	USB-C 5V
dimensions:	length - 270 mm
	width - 24 mm
	height - 24 mm

**BATTERY 12V CM-38****Technical data:**

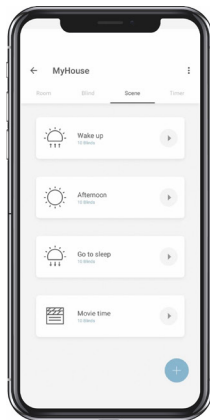
battery type:	Li-on
capacity:	900 mAh
nominal voltage:	11,1 V
input:	USB-C 5V
dimensions:	length - 137 mm
	width - 24 mm
	height - 24 mm



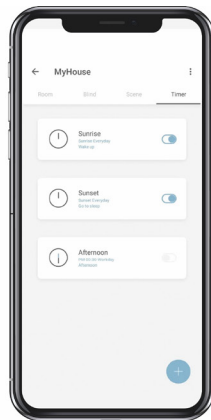


## COULISSE MOBILE APPLICATION - MOTION BLINDS HIGHER LEVEL OF OPERATION.

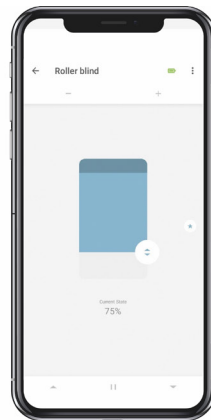
Simultaneous control of many roller blinds by easy to use Motion Blinds application. Make your home automated thanks to programmed operation modes and the timer. Control the interior climate by reducing the loss of thermal energy. Find proper balance between amount of light and privacy protection. Thanks to the Motion Blinds application you set optimal position of roller blinds and check the current battery charge level



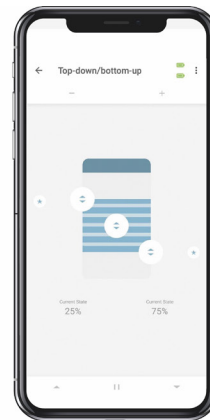
Set scenes with pre-set positions



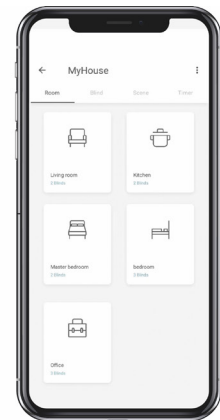
Add timers to automate scenes



Create rooms with multiple blinds



Send the blind to any desired position



Compatible with different types of blinds

Download the Motion Blinds application on a mobile device from the App Store or Google Play shop!



---

## PLEATED BLINDS ARRANGEMENT EXAMPLES

---

All pleated systems included in the Shadow-System offer are products that will meet the expectations in every assembly situation. A carefully selected collection of fabrics from renowned suppliers and the largest set of options and pleats types in Europe will allow adjusting the products to any room.



# shadow

SYSTEM



**Shadow-System Sp. z o. o.**

Kawle Dolne 4F,  
83-304 Przodkowo

tel. +48 58 550 08 80

fax. +48 58 550 76 52

[info@shadow-system.pl](mailto:info@shadow-system.pl)

[www.shadow-system.pl](http://www.shadow-system.pl)



**Pleated Blinds**  
Product Brochure